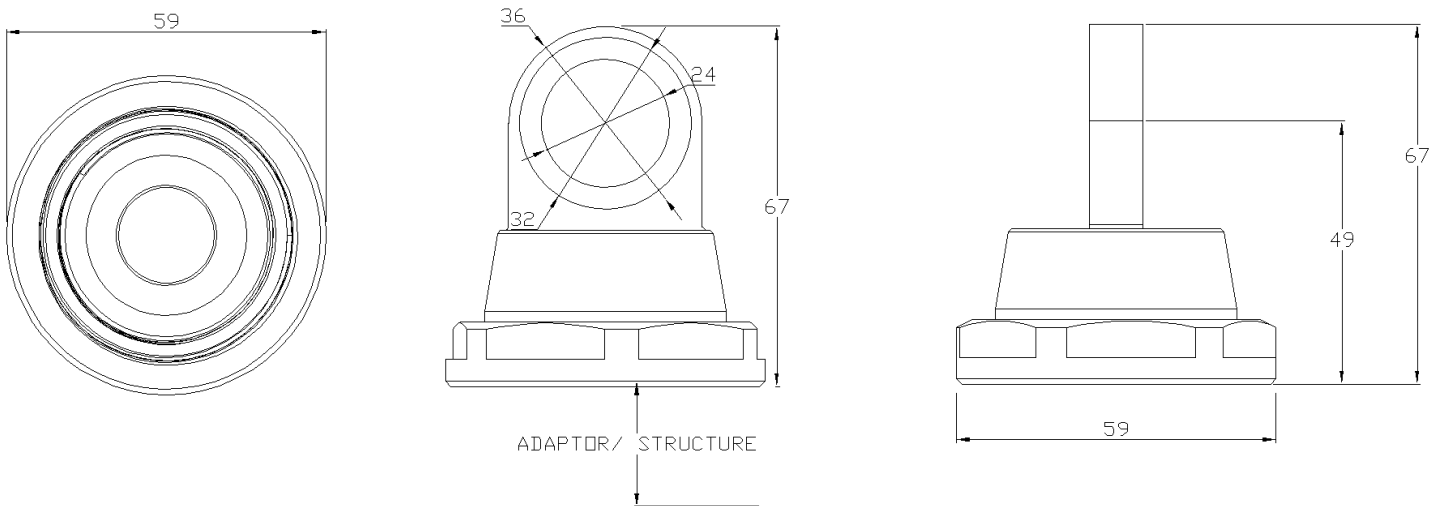


## Spider / Adapter FIRL

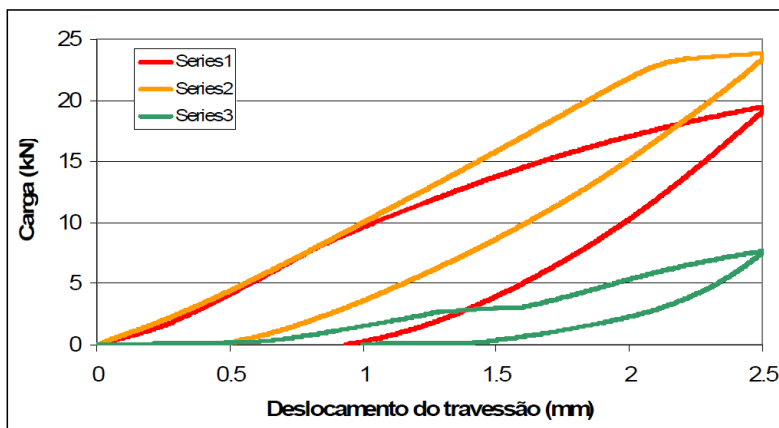
Spider / Adapter sideway to structure in stainless steel AISI 316. Possible to use any rotule Fitechnic.



### DIMENSIONS SPIDER / ADAPTER FIRL



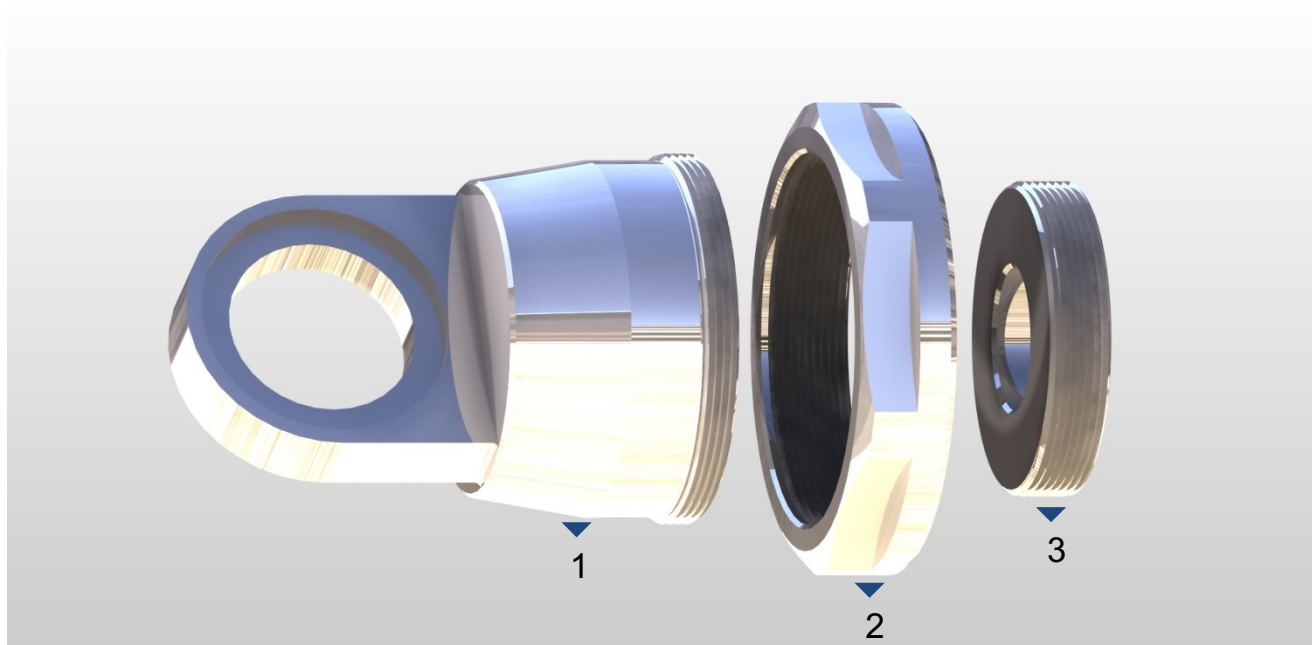
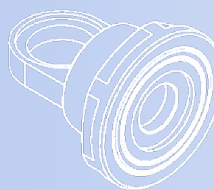
### MECHANICAL RESISTANCE CALCULATIONS



Yield Charge (KN)	Max. Stress (Mpa)	Displacement (mm)	Yield stress (Mpa)
2.2	241.6	1.5	240

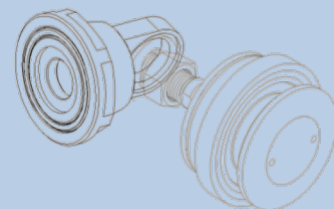
Flexion test by means of a traverse movement corresponding to that of conventional compression tests





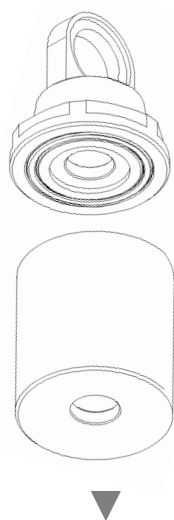
### COMPONENTES

- 1 - Spider adapter to rotule SS AISI316
- 2 - Threaded nut SS AISI316 - Ø60mm (tighten aprox.10~15N/m)
- 3 - Swivel body



### DETAILS

The FIRL Spider / Adapter is attached to the structure by a connection base which can be adapted to the various types of structure - rectangular or round.



Connection base  
to structure

