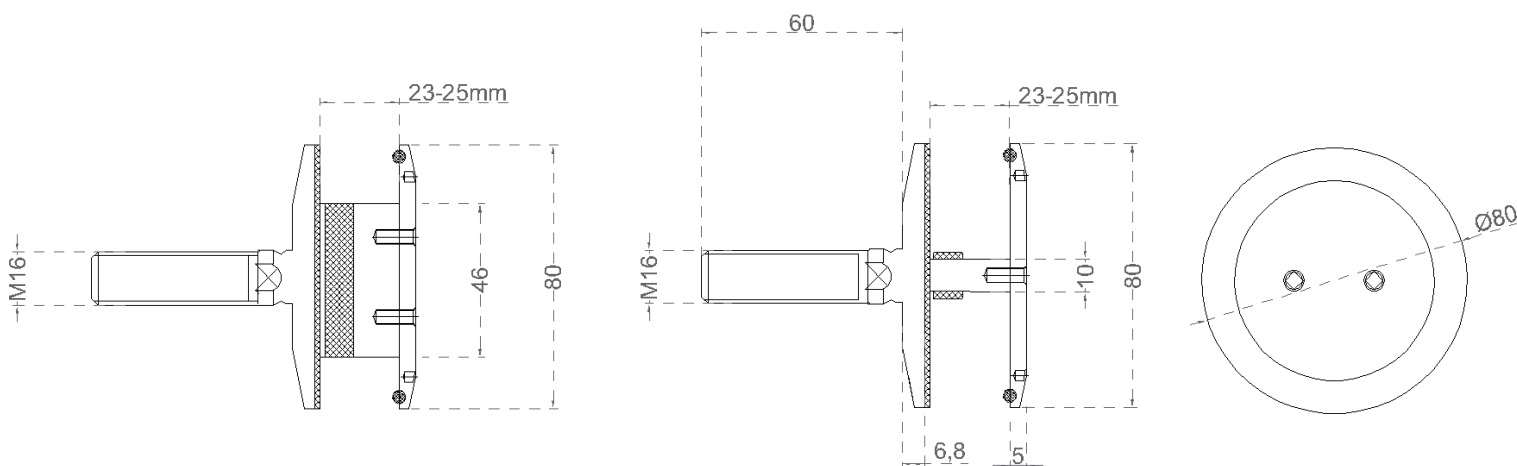




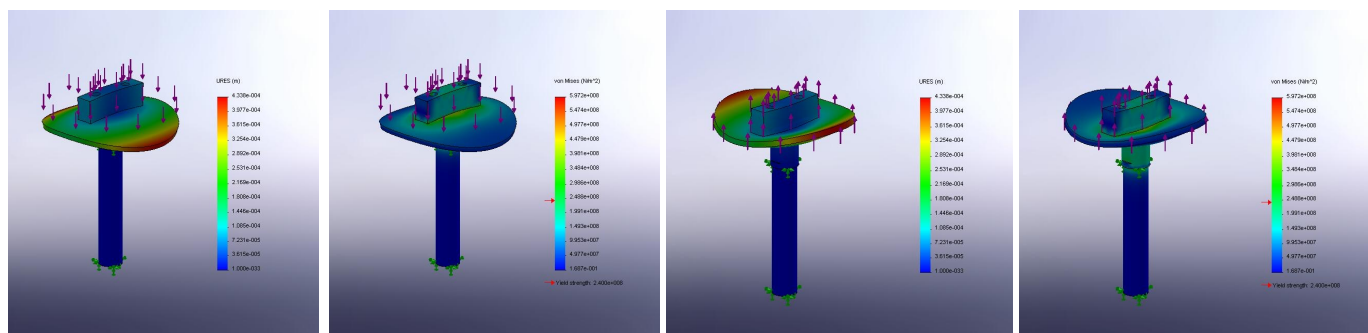
### Patchfitting PF-C M16

Patchfitting in stainless steel AISI316 for laminated or tempered glass. Possible to use in any Spider Fitechnic. No drilling necessary.

### DIMENSIONS PATCHFITTING PF-C M16



### MECHANICAL RESISTANCE CALCULATIONS

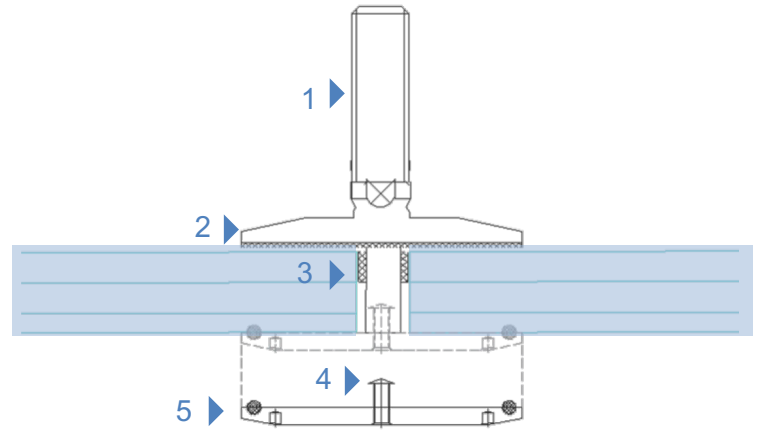


Displacement a stress results for Positive Wind Load and Negative Wind Load

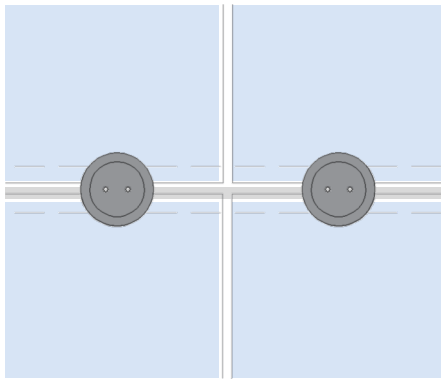
Loads	Force	Deflection max	Stress max
Positive wind	2 kN	0,44 mm	240 Mpa
Negative wind	2 kN	0,43mm	240 Mpa

**COMPOSICION**

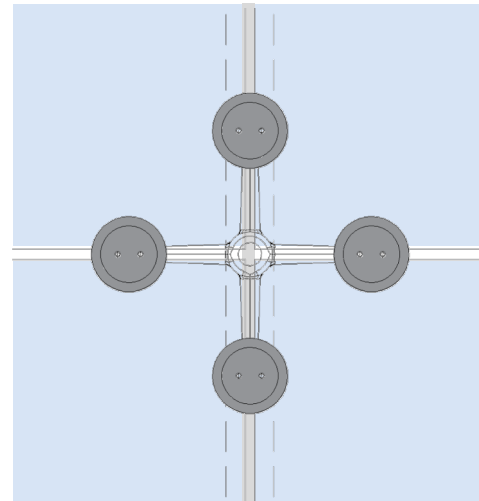
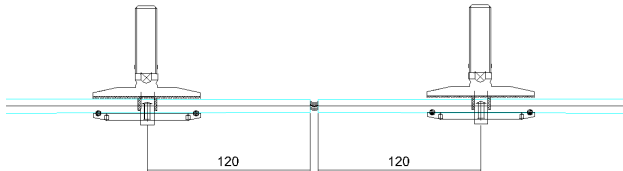
	Descripcion	Material
1	Screw M16 DIN 912	stainless steel 316
2	Interior Cap	stainless steel 316
3	Contact Polyethylene	EPDM
4	Screw M10 DIN 912	stainless steel 316
5	Exterior Cap	stainless steel 316



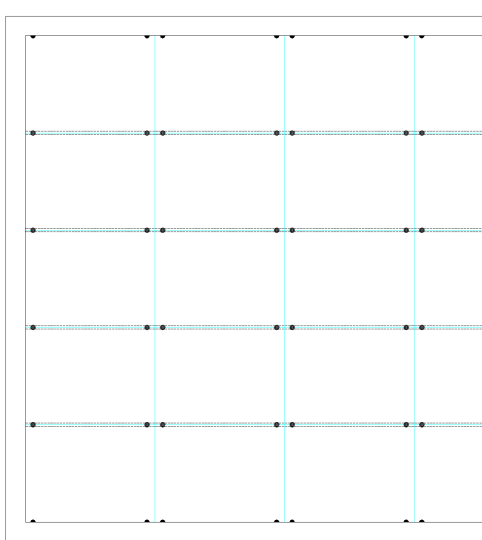
**MOUNTING SYSTEM**



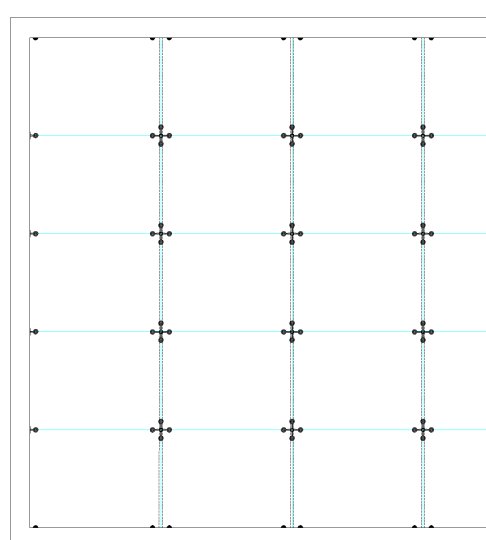
Mounting system - Model 1



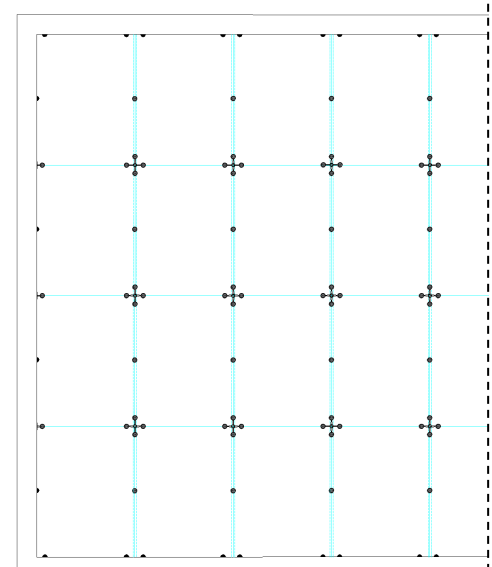
Mounting system - Model 2



Mounting system Model 1 for 4 points fixing system - Horizontal structure



Mounting system Model 2 for 4 points fixing system it Fitechnic spiders-vertuical structure



Mounting system Model 2 for 6 points fixing system it Fitechnic spiders-vertuical structure