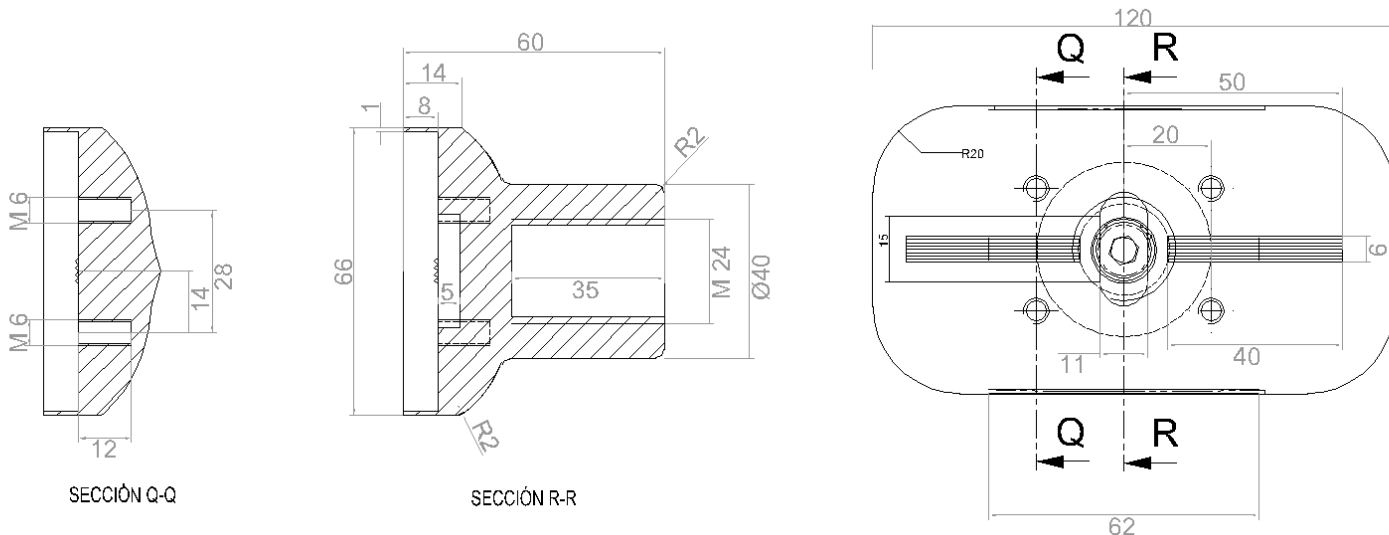




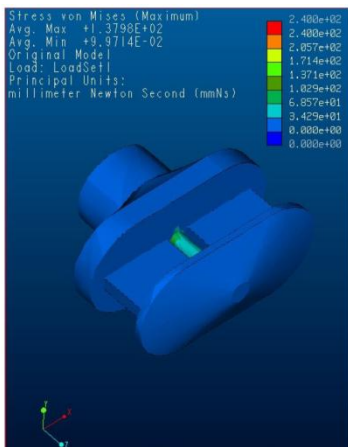
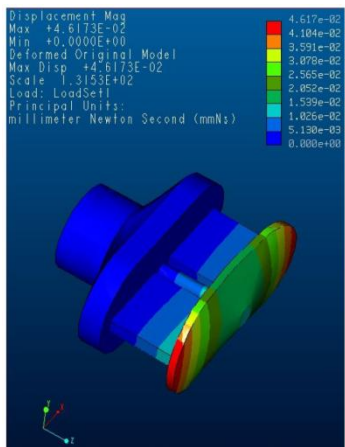
**Patchfitting PF-H M24**

Patchfitting in stainless steel AISI316 for double glazing . No drilling necessary.

**DIMENSIONS PATCHFITTING PF-H M24**



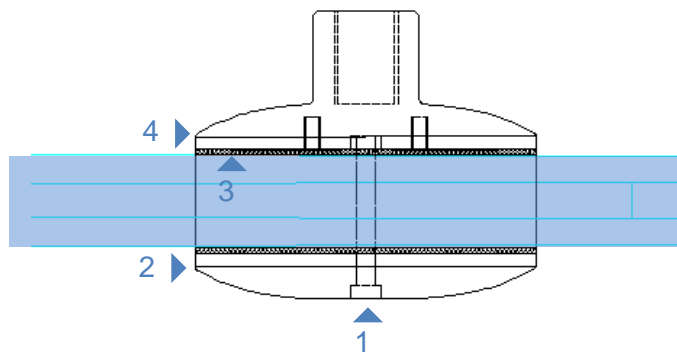
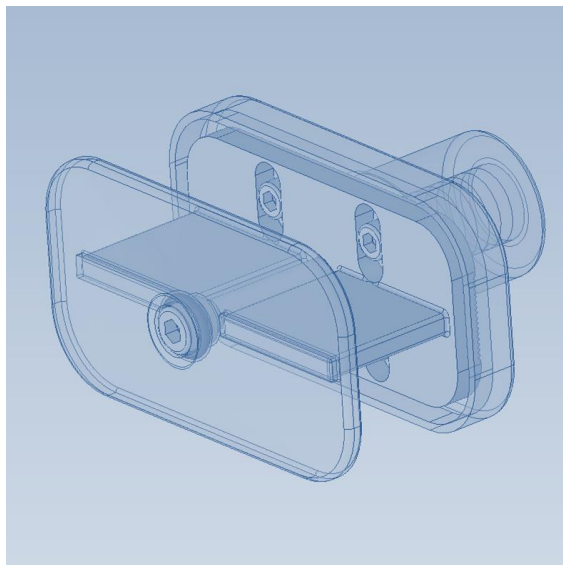
**MECHANICAL RESISTANCE CALCULATIONS**



Loads	Force	Deflection max	Stress max
Service	-	46,17m	240 MPa
Rupture	-		460 MPa

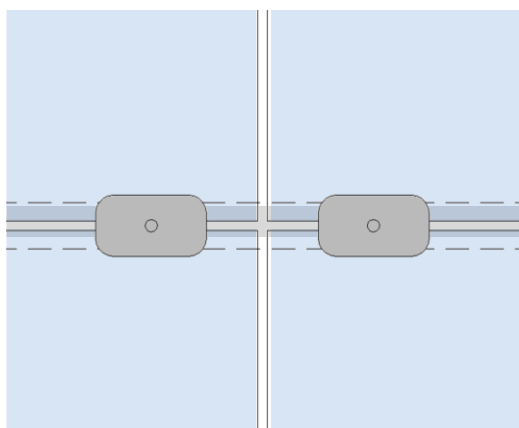
Displacement a stress results

**COMPOSICION**

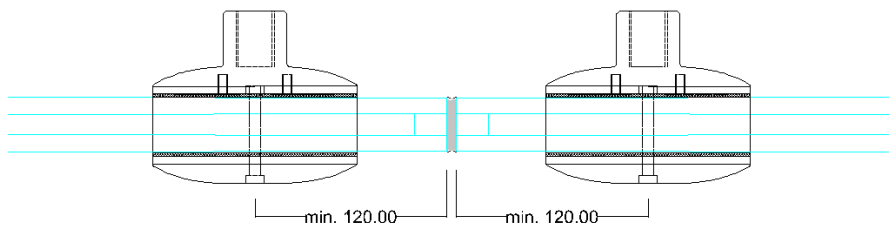


	Descricion	Material
1	Screw M10 DIN 912	stainless steel 316
2	Exterior Cap	stainless steel 316
3	Contact Polyethylene	EPDM
4	Interior Cap M24x2	stainless steel 316

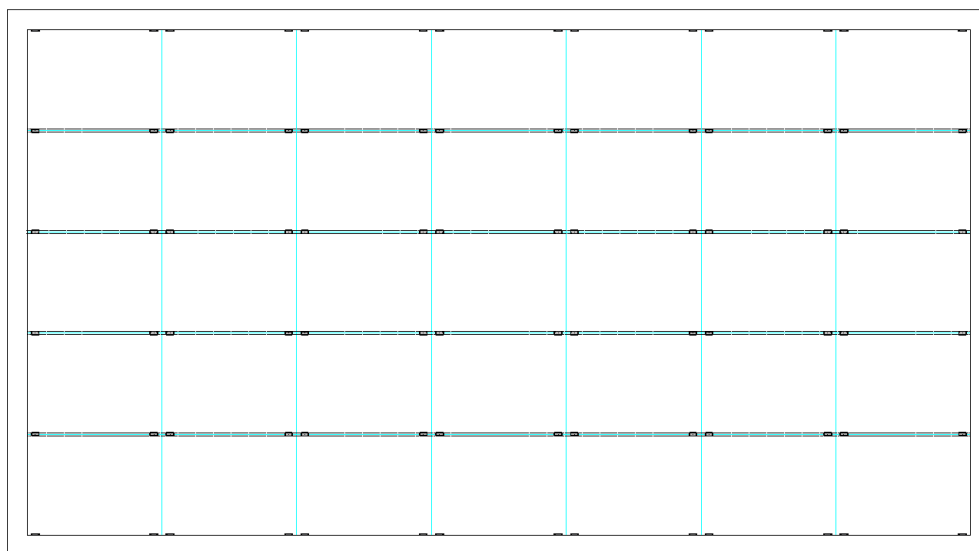
**MOUNTING SYSTEM**



Mounting system - Model 1



Fixing points distance - Model 1



Mounting system Model 1 for 4 Points fixing system - Horizontal structure