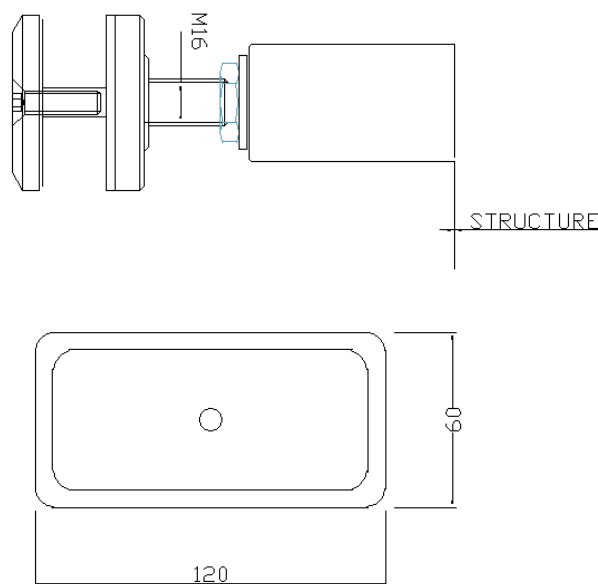
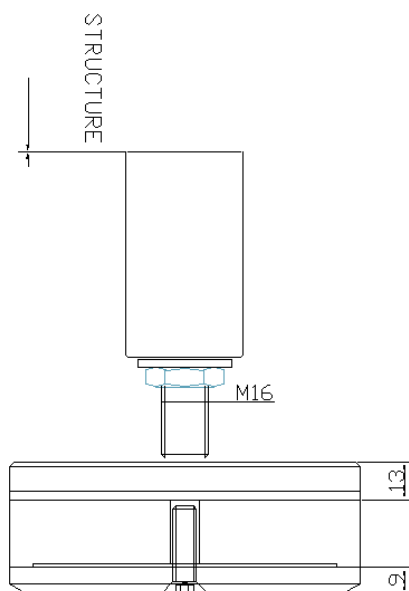




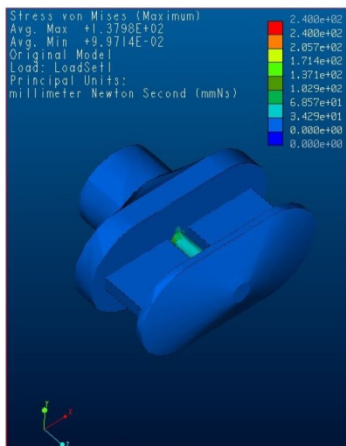
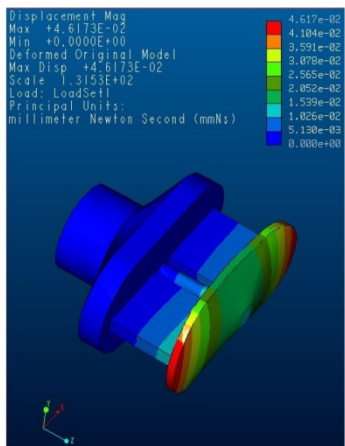
Patchfitting PF-R M16

Patchfitting in stainless steel AISI316 for laminated or tempered glass. Possible to use in any Spider Fitechnic. No drilling necessary.

DIMENSIONS PATCHFITTING PF-R M16



MECHANICAL RESISTANCE CALCULATIONS

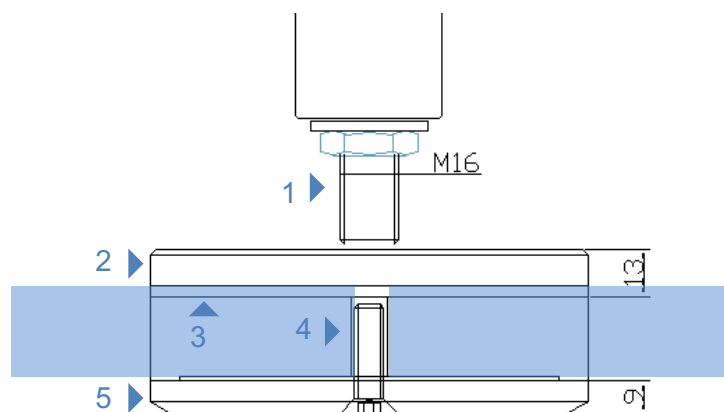


Loads	Force	Deflection max	Stress max
Positive wind	2 kN	0,44 mm	240 Mpa
Negative wind	2 kN	0,43mm	240 Mpa

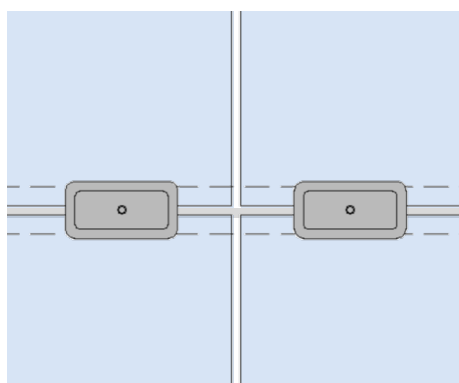
Displacement a stress results for Positive Wind Load and Negative Wind Load

COMPOSICION

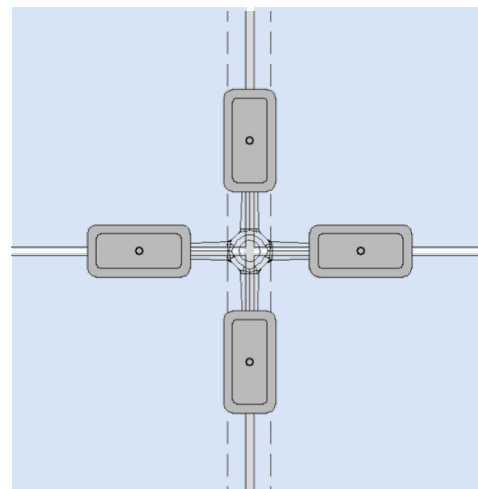
	Descricion	Material
1	Screw M16 DIN 912	stainless steel 316
2	Interior Cap M24x2	stainless steel 316
3	Contact Polyethylene	EPDM
4	Screw M10 DIN 912	stainless steel 316
5	Exterior Cap M24x2	stainless steel 316



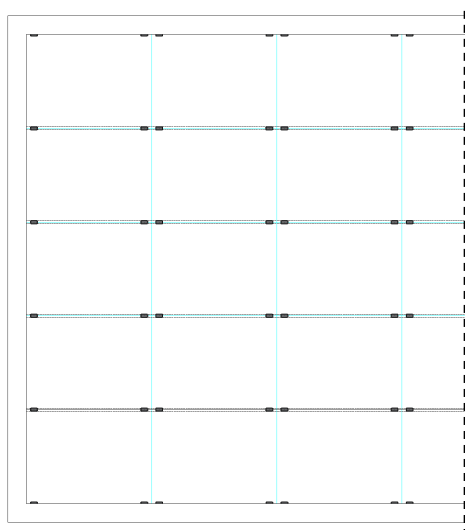
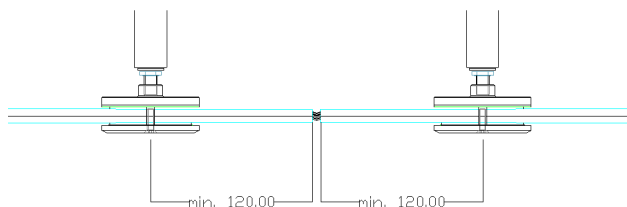
MOUNTING SYSTEM



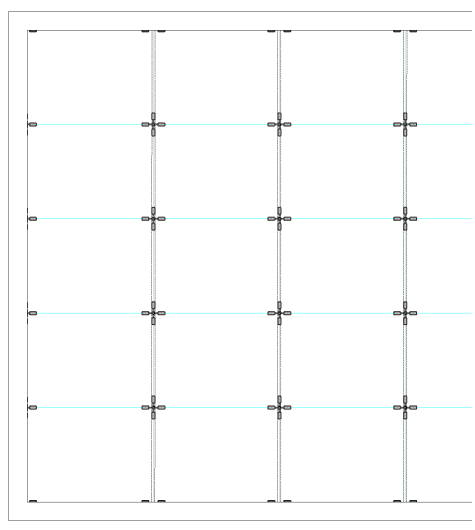
Mounting system - Model 1



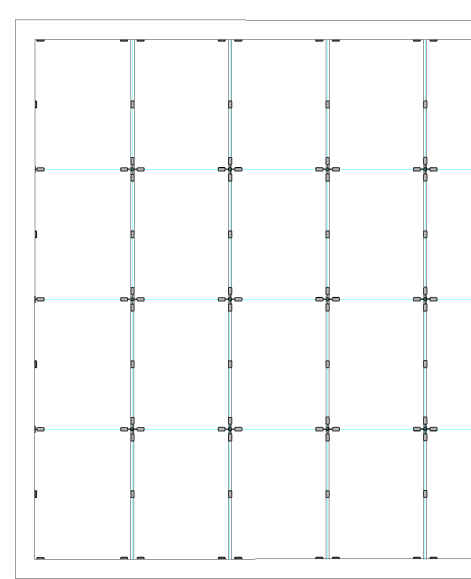
Mounting system - Model 2



Mounting system Model 1 for 4 points fixing system - Horizontal structure



Mounting system Model 2 for 4 points fixing system with Fitechnic spiders - vertical structure



Mounting system Model 2 for 6 points fixing system with Fitechnic spiders - vertical structure