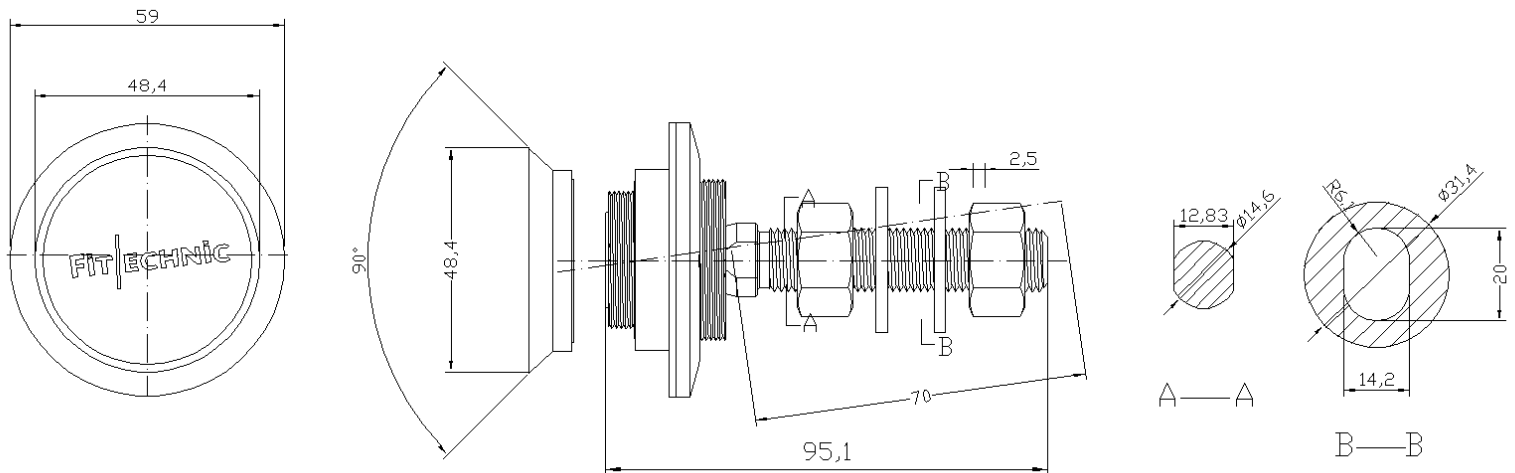


## RCE-FTL/M14

Articulated Bolt in stainless steel AISI316 with conic cap to be embedded in laminated tempered glass and IGU for facades – Conic Hole in the inner glass

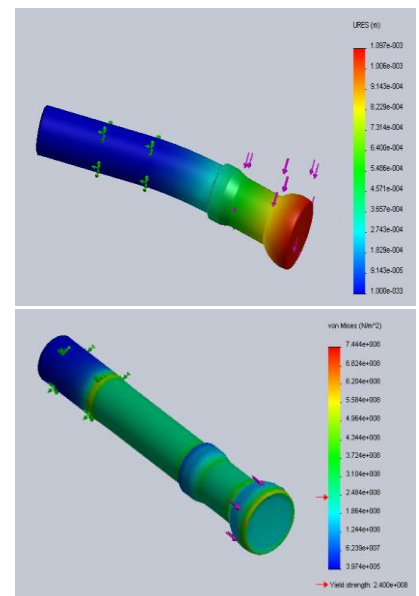
### DIMENSIONS ARTICULETED BOLT RCE-FTL/M14

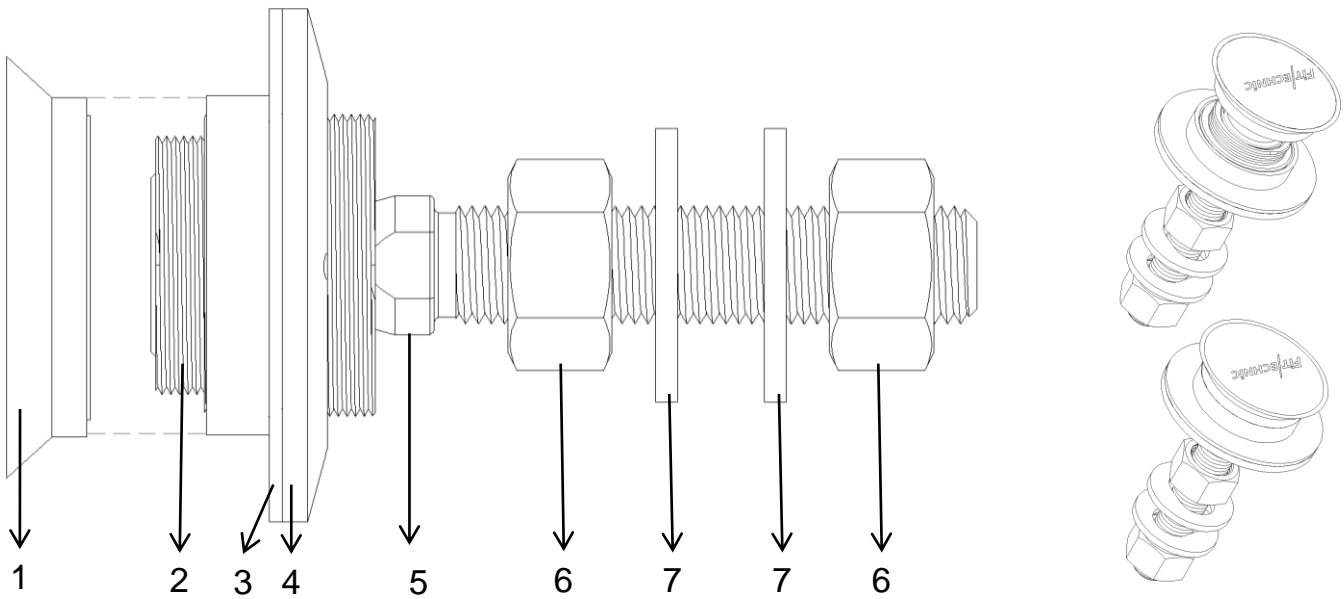
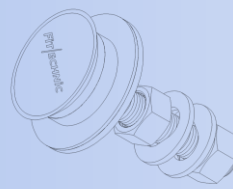


### MECHANICAL RESISTANCE CALCULATIONS

|            | Perpendicular Force |            |                  | Negative Wind |
|------------|---------------------|------------|------------------|---------------|
|            | D<br>(mm)           | ELT<br>(N) | DM – ELT<br>(mm) | ELU<br>(N)    |
| <b>M14</b> | 45                  | 1750       | 1.097            | 15000         |
|            | 60                  | 795        | 1.094            | Ou<br>20000   |

**D** – Distance in Spider Fixing  
**ELT** – Service Limit State – Load at 1mm  
**DM** – Maximum Deflection  
**ELU** – Ultimate Limit State



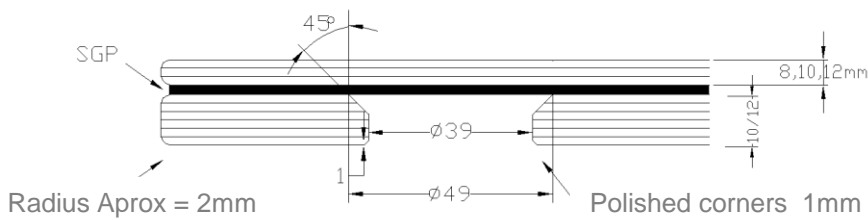


**COMPONENTES**

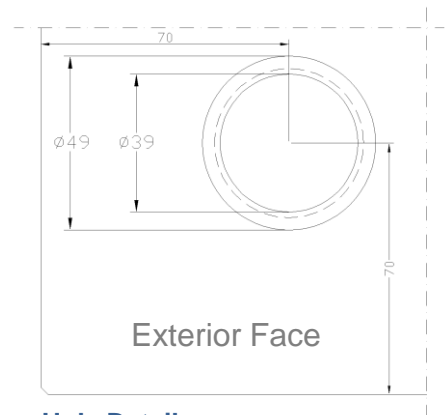
- 1 – SS AISI316 Washer Exterior Conic Cap Ø50mm (tighten aprox.10~15N/m)
- 2 – SS AISI316 body
- 3 – Contact washer Polyethylene
- 4 – SS AISI316 Washer interior cap Ø60mm (tighten aprox.10~15N/m)
- 5 – M14 rotulated thread
- 6 – Nut DIN 934 A4
- 7– SS AISI316 Washer

**HOLE DETAILS**

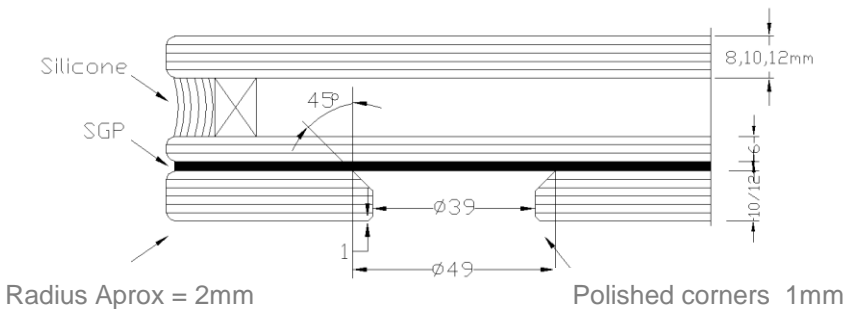
Exterior Face



Hole detail for Laminated Glass rotule RCE-FTL/M14



Hole Details



Hole detail for IGU Glass rotule RCE-FTL/M14

