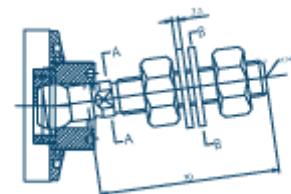
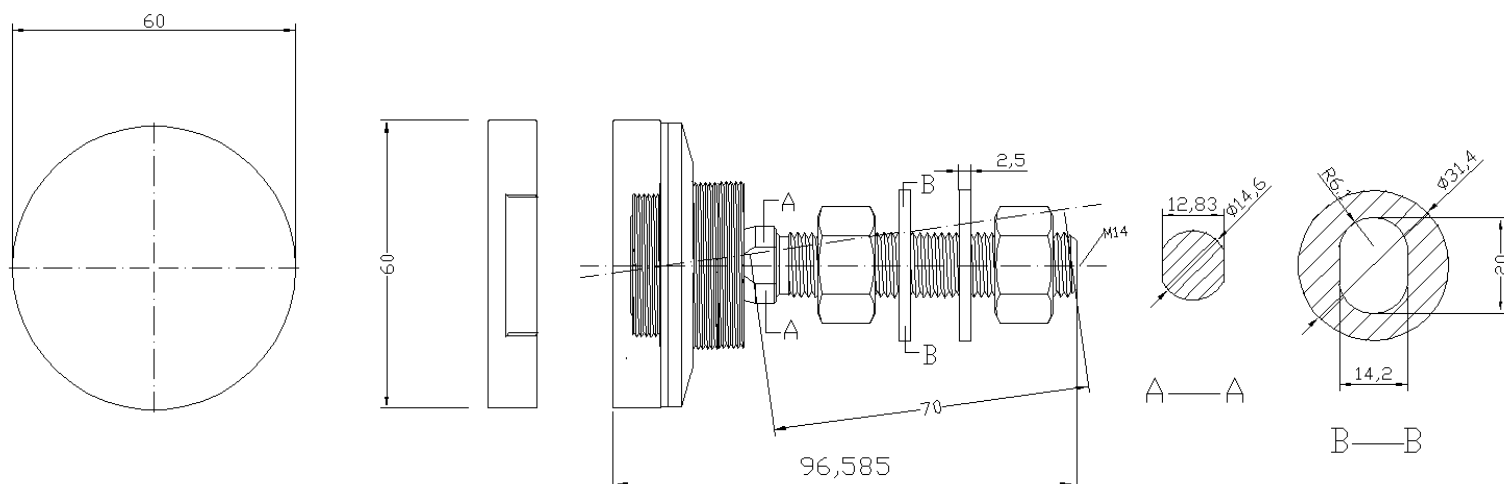


RCE-GL/M14

Articulated Bolt in stainless steel AISI316 for structural adhesive application DP490 or TSSA (to consult). No drilling necessary



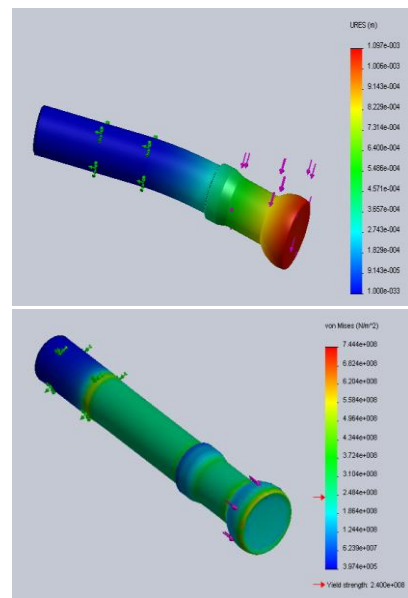
DIMENSIONS ARTICULETED BOLT RCE-GL/M14

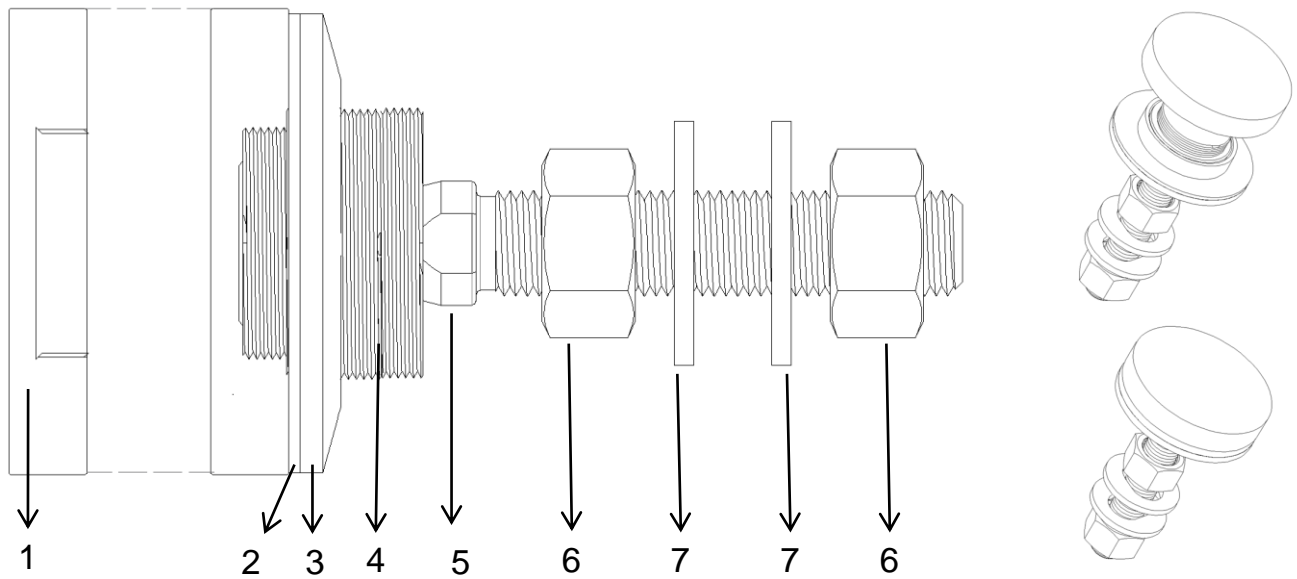
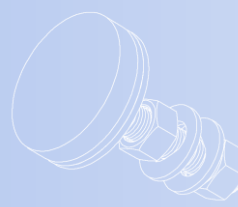


MECHANICAL RESISTANCE CALCULATIONS

	Perpendicular Force			Negative Wind
	D (mm)	ELT (N)	DM – ELT (mm)	ELU (N)
M14	45	1750	1.097	15000
	60	795	1.094	Ou 20000

D – Distance in Spider Fixing
ELT – Service Limit State – Load at 1mm
DM – Maximum Deflection
ELU – Ultimate Limit State



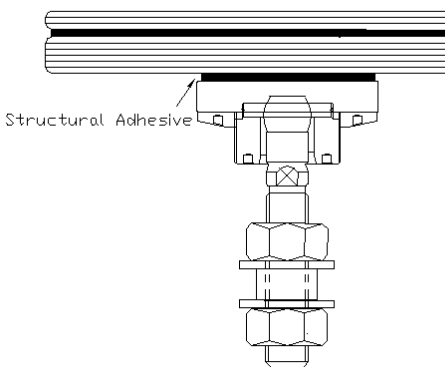


COMPONENTES

- 1 – SS AISI316 Washer Exterior Conic Cap Ø50mm (tighten aprox. 10~15N/m)
- 2 – SS AISI316 body
- 3 – Contact washer Polyethylene
- 4 – SS AISI316 Washer interior cap Ø60mm (tighten aprox. 10~15N/m)
- 5 – M14 rotulated thread
- 6 – Nut DIN 934 A4
- 7 – SS AISI316 Washer

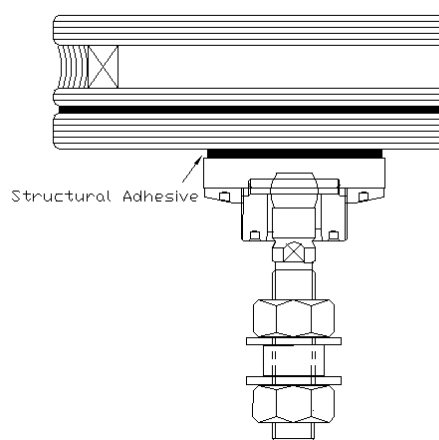
DETAILS

Exterior Face

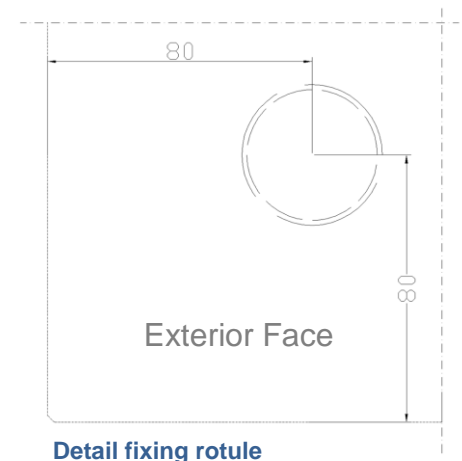


Detail for Laminated Glass rotule
RCEGL/M14

Exterior Face



Detail for Double Glazing Laminated
glass rotule RGL/M14



Detail fixing rotule

