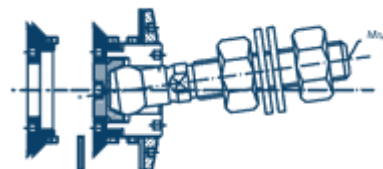
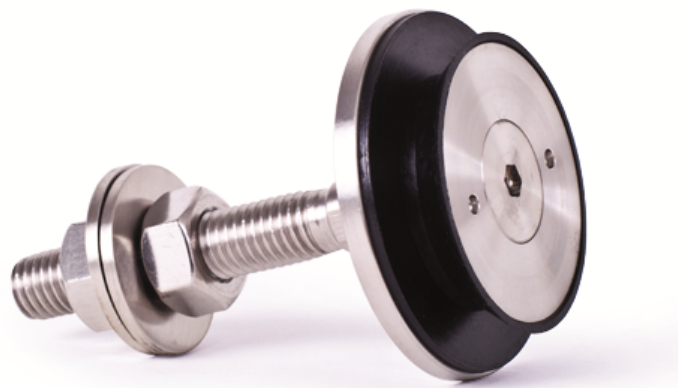


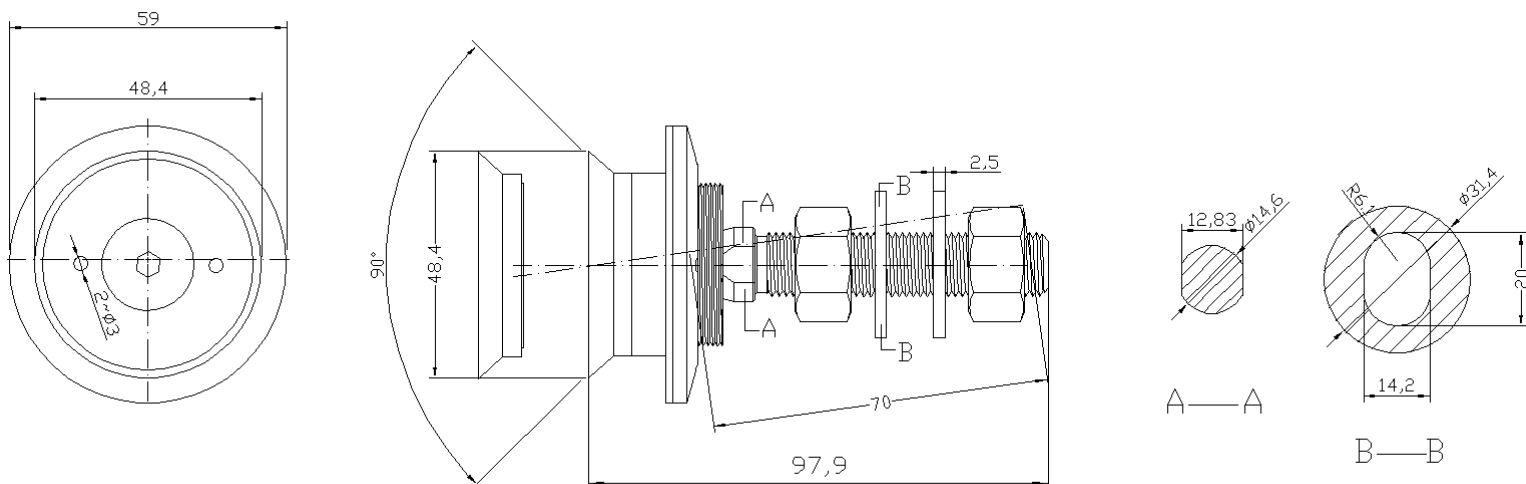


### RCE10-21M14

Articulated Bolt in stainless steel AISI316 with conic cap for exterior installation for facades in tempered or laminated tempered glass 10 to 21mm – Conic Hole



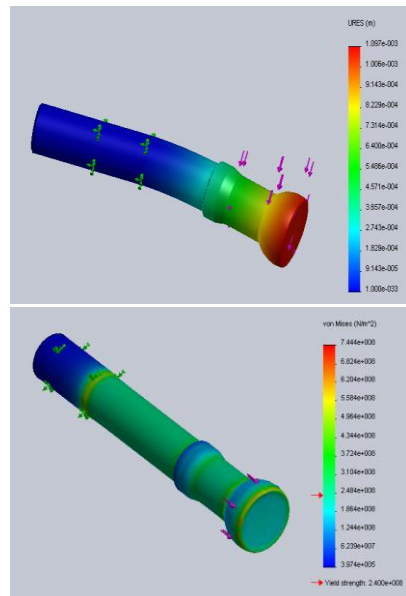
### DIMENSIONS ARTICULETED BOLT RCE10-21M14

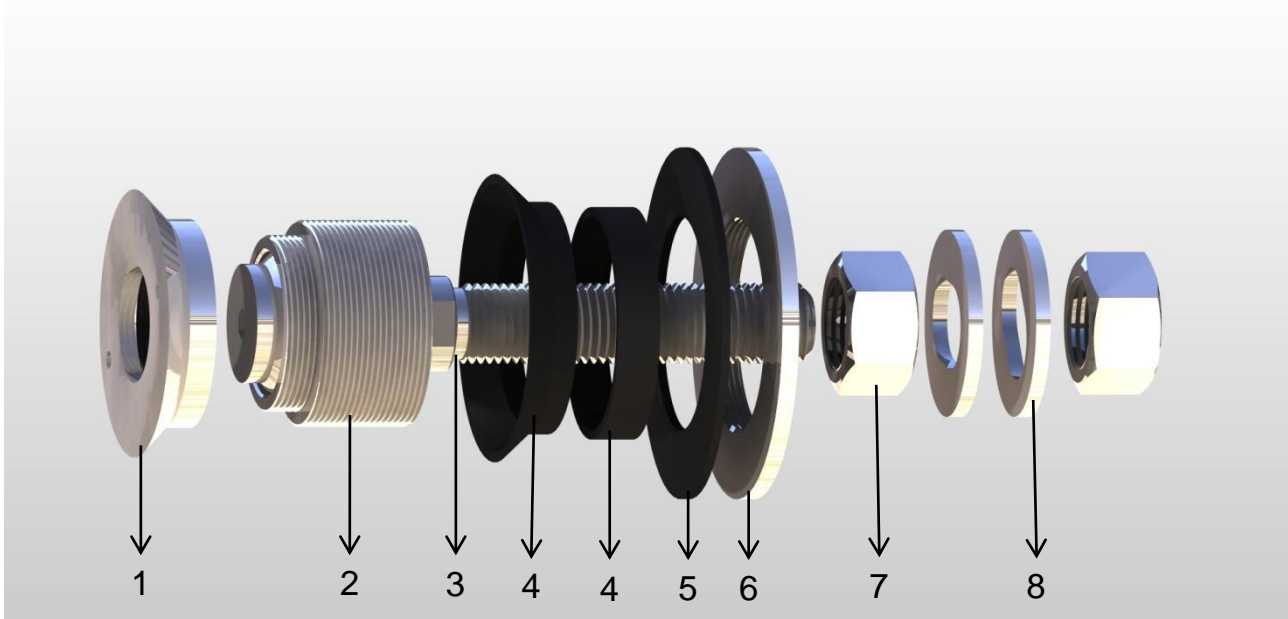


### MECHANICAL RESISTANCE CALCULATIONS

	Perpendicular Force			Negative Wind
	D (mm)	ELT (N)	DM – ELT (mm)	ELU (N)
<b>M14</b>	45	1750	1.097	15000
	60	795	1.094	Ou 20000

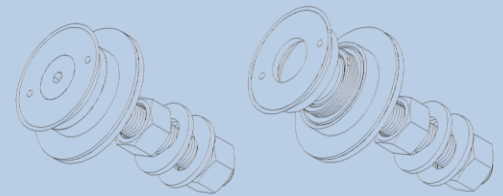
**D** – Distance in Spider Fixing  
**ELT** – Service Limit State – Load at 1mm  
**DM** – Maximum Deflection  
**ELU** – Ultimate Limit State



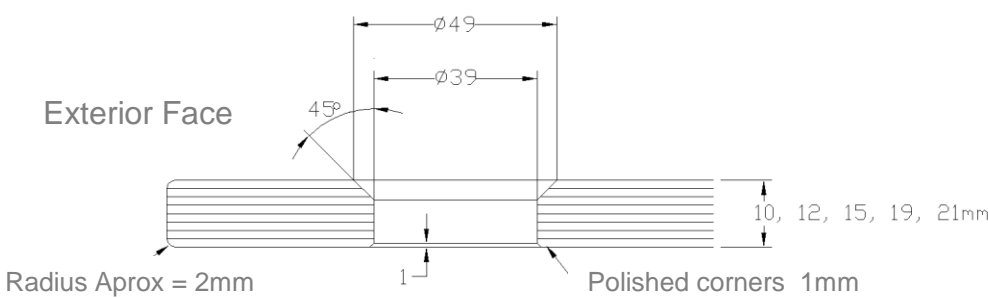


**COMPONENTES**

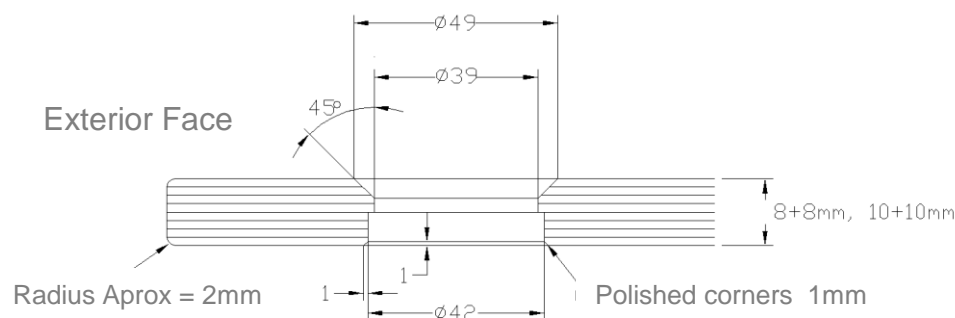
- 1 – SS AISI316 Conic Cap Ø50mm (tighten aprox.10~15N/m)
- 2 – SS AISI316 body
- 3 – M14 rotulated thread
- 4 – Contact washer Polyethylene
- 5 – Contact washer Polyethylene
- 6 – SS AISI316 Washer interior cap Ø60mm (tighten aprox.10~15N/m)
- 7– Nut DIN 934 A4
- 8– SS AISI316 Washer



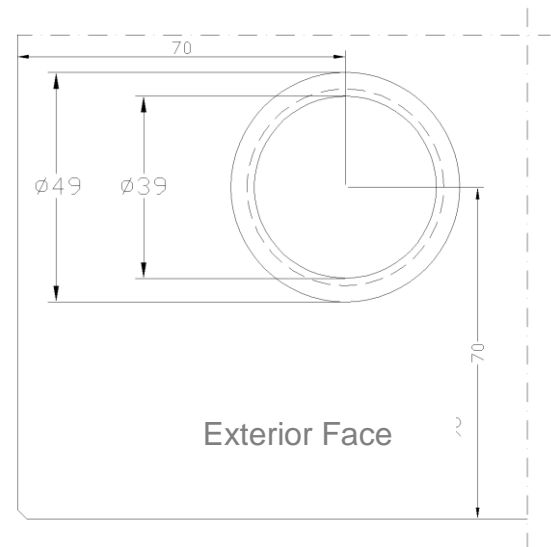
**HOLE DETAILS**



Hole detail for Tempered Glass rotule RCE10-21/M14



Hole detail for Laminated Tempered Glass rotule RCE10-21/M14



Hole Details

