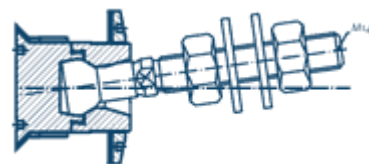
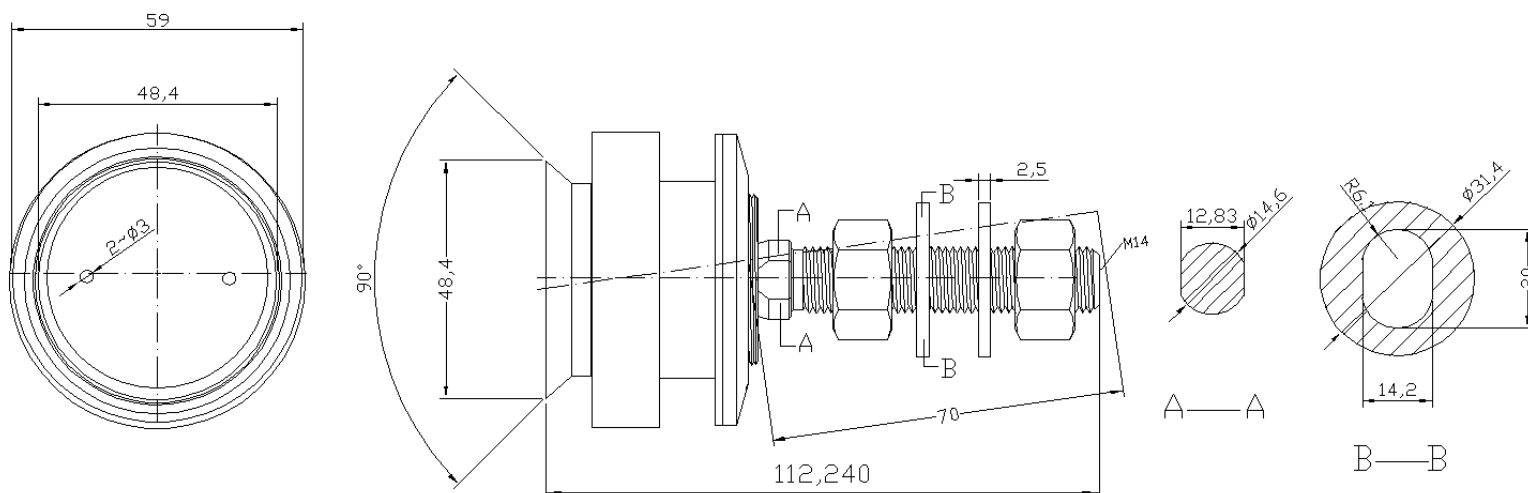


RD28-36M14

Articulated Bolt in stainless steel AISI316 for double glazing facade in tempered glass 28 to 36mm – Conic Hole



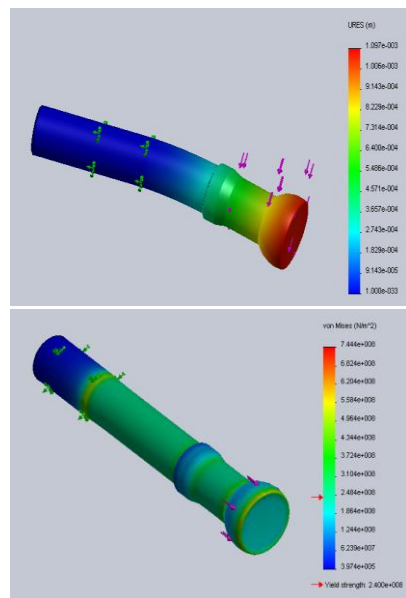
DIMENSIONS ARTICULETED BOLT RD28-36M14

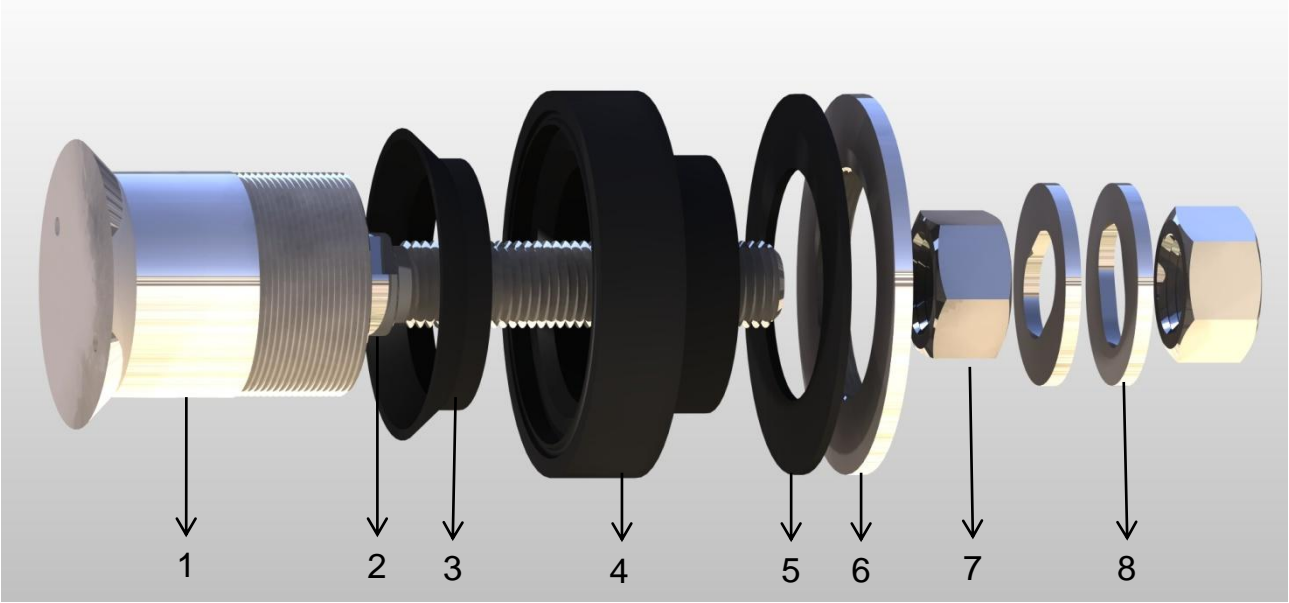
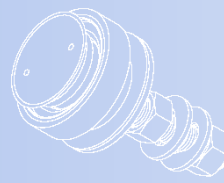


MECHANICAL RESISTANCE CALCULATIONS

	Perpendicular Force			Negative Wind
	D (mm)	ELT (N)	DM – ELT (mm)	ELU (N)
M14	45	1750	1.097	15000 Ou 20000
	60	795	1.094	

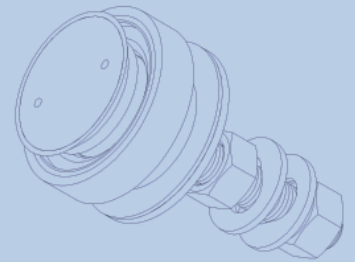
D – Distance in Spider Fixing
ELT – Service Limit State – Load at 1mm
DM – Maximum Deflection
ELU – Ultimate Limit State



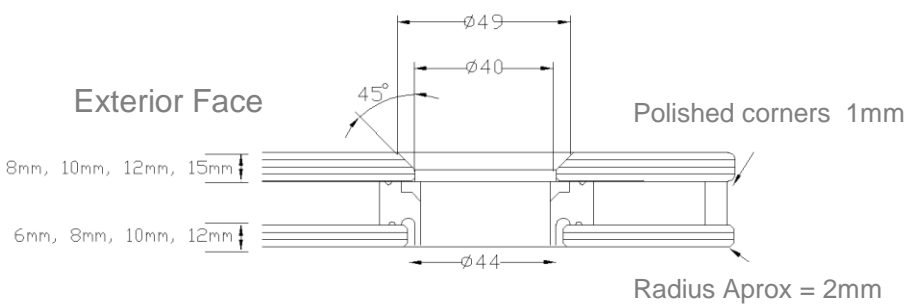


COMPONENTES

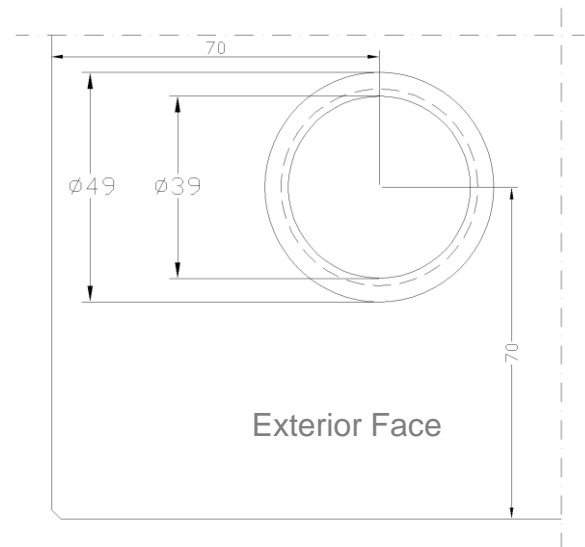
- 1 – SS AISI316 body
- 2 – M14 rotulated thread
- 3 – Contact washer Polyethylene
- 4 – Contact washer Polyethylene for interior Double Glazing
- 5 – Contact washer Polyethylene
- 6 – SS AISI316 Washer interior cap Ø60mm (tighten aprox.10~15N/m)
- 7– Nut DIN 934 A4
- 8– SS AISI316 Washer



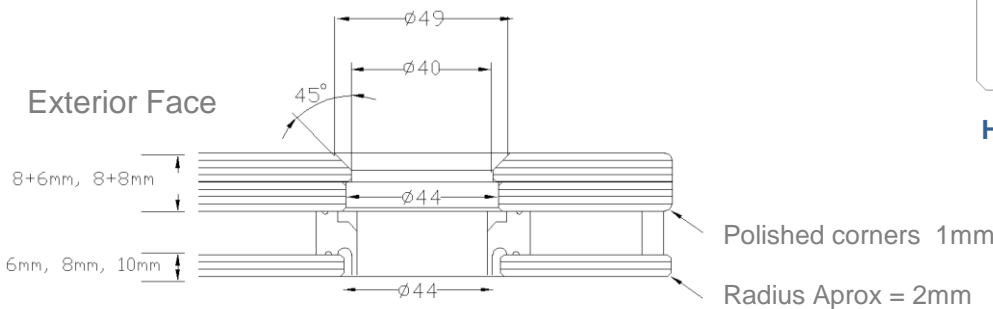
HOLE DETAILS



Hole detail for Double Glazing Tempered Glass rotule RD28-36/M14



Hole Details



Hole detail for Double Glazing Laminated Tempered Glass rotule RD28-36/M14

