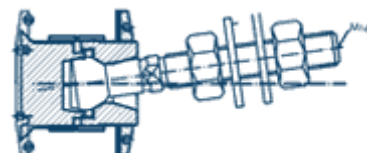
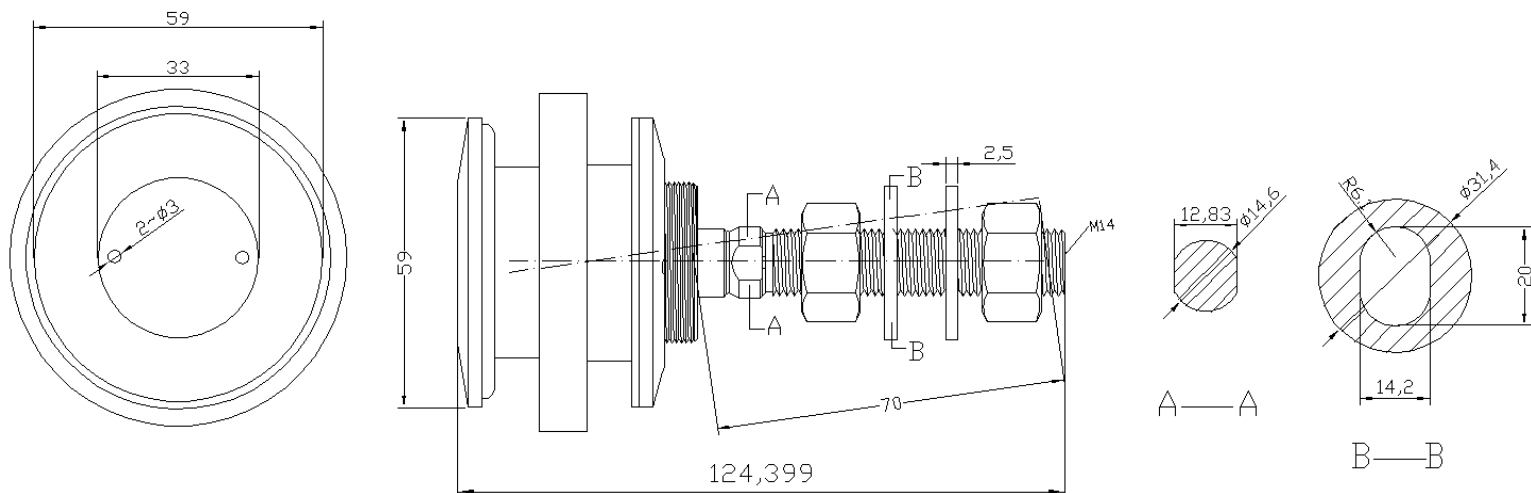


**RDT28-36M14**

Articulated Bolt in stainless steel AISI316 with cap for double glazing facade/roof in tempered glass 28 to 36mm – Cylindrical Hole



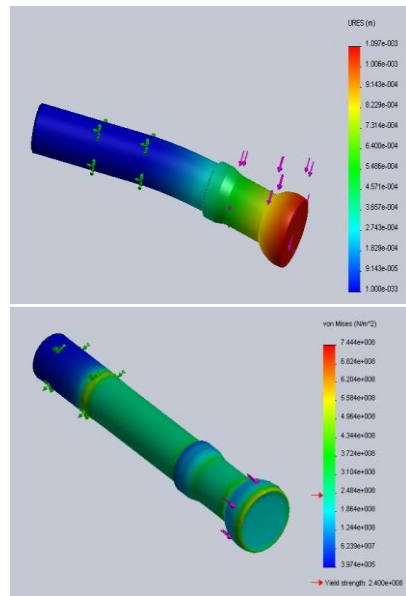
**DIMENSIONS ARTICULETED BOLT RDT28-36M14**

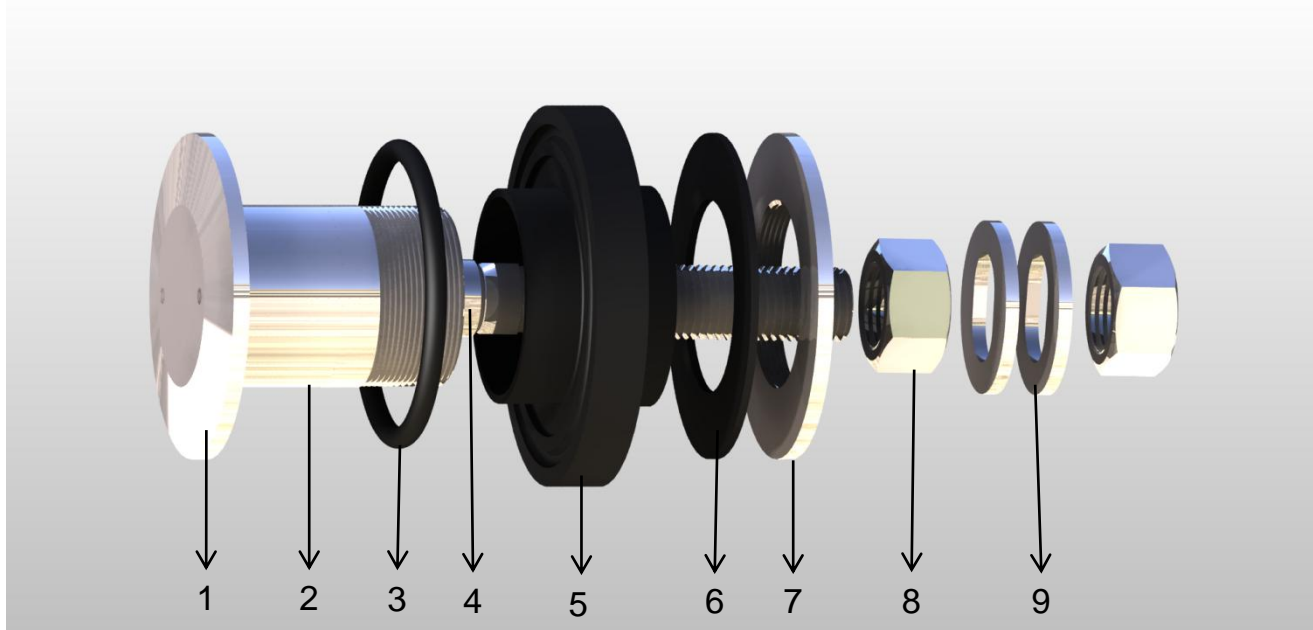
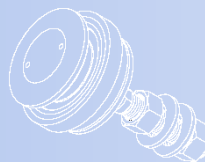


**MECHANICAL RESISTANCE CALCULATIONS**

	Perpendicular Force			Negative Wind
	D (mm)	ELT (N)	DM – ELT (mm)	ELU (N)
<b>M14</b>	45	1750	1.097	15000
	60	795	1.094	Ou 20000

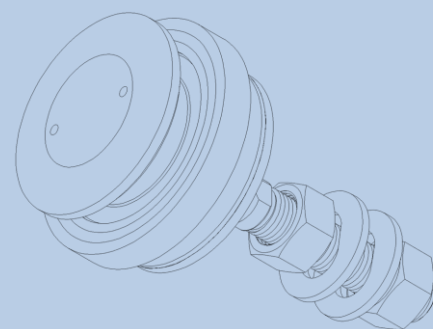
**D** – Distance in Spider Fixing  
**ELT** – Service Limit State – Load at 1mm  
**DM** – Maximum Deflection  
**ELU** – Ultimate Limit State



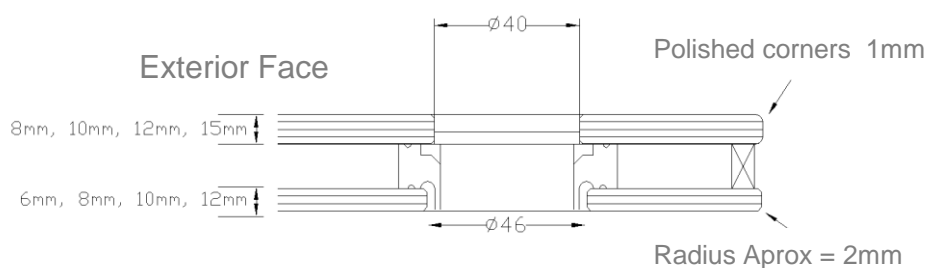


**COMPONENTES**

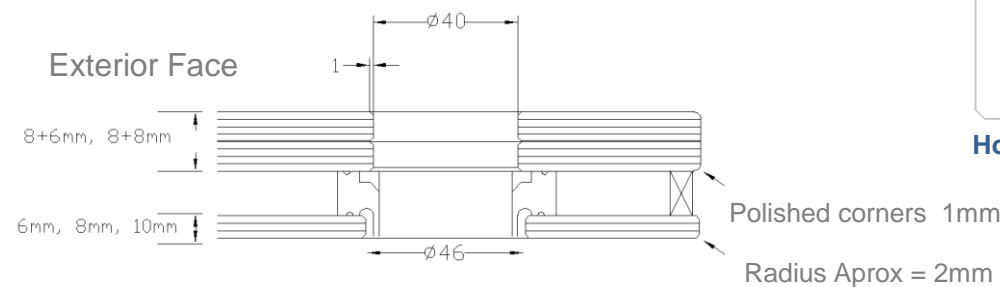
- 1 – SS AISI316 Cap Ø60mm
- 2 – SS AISI316 body
- 3 – O’ring or Contact washer Polyethylene
- 4 – M14 rotulated thread
- 5 – Contact washer Polyethylene for interior Double Glazing
- 6 – Contact washer Polyethylene
- 7 – SS AISI316 Washer interior cap Ø60mm (tighten approx. 10~15N/m)
- 8 – Nut DIN 934 A4
- 9 – SS AISI316 Washer



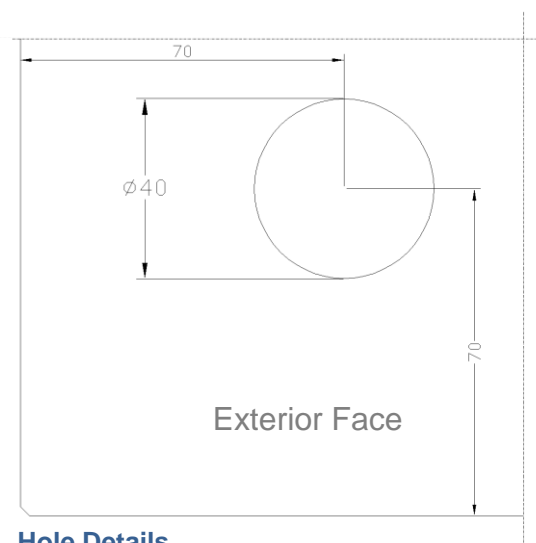
**HOLE DETAILS**



Hole detail for Double Glazing Tempered Glass rotule RDT28-36/M14



Hole detail for Double Glazing Laminated Tempered Glass rotule RDT28-36/M14



Hole Details

