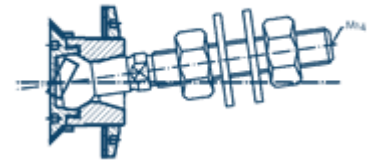
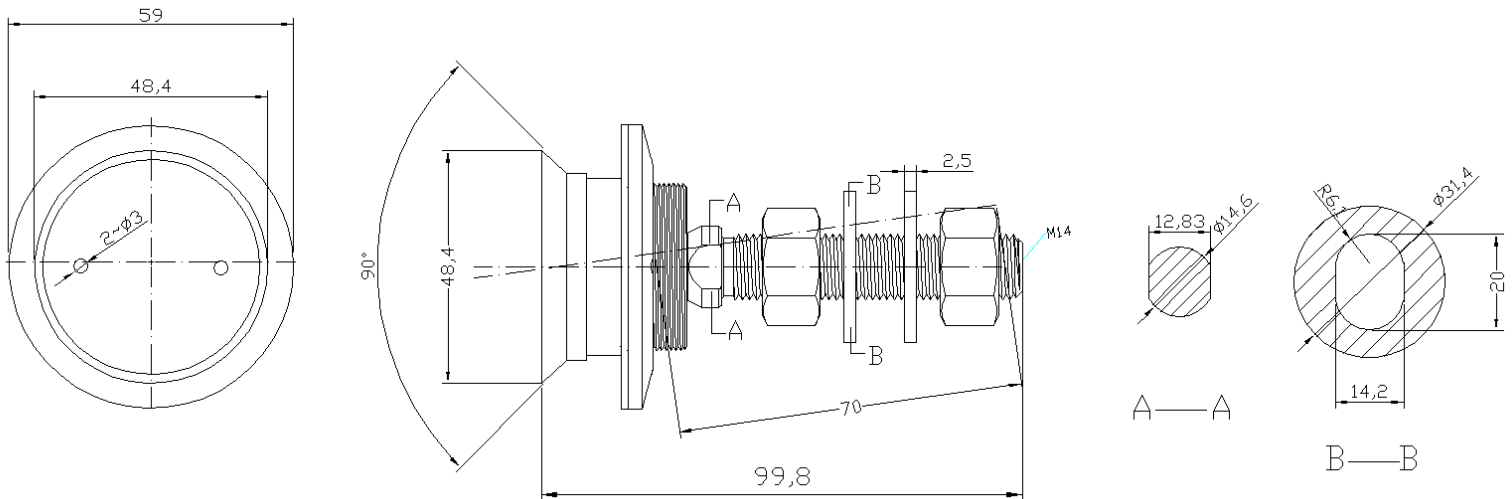


RE12-21M14

Articulated bolt in stainless steel AISI316 for facade in monolithic tempered glass 12 to 21mm – Conic hole



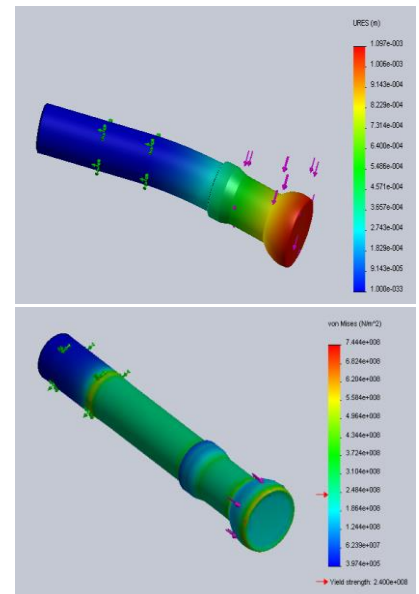
DIMENSIONS ARTICULETED BOLT RE12-21M14

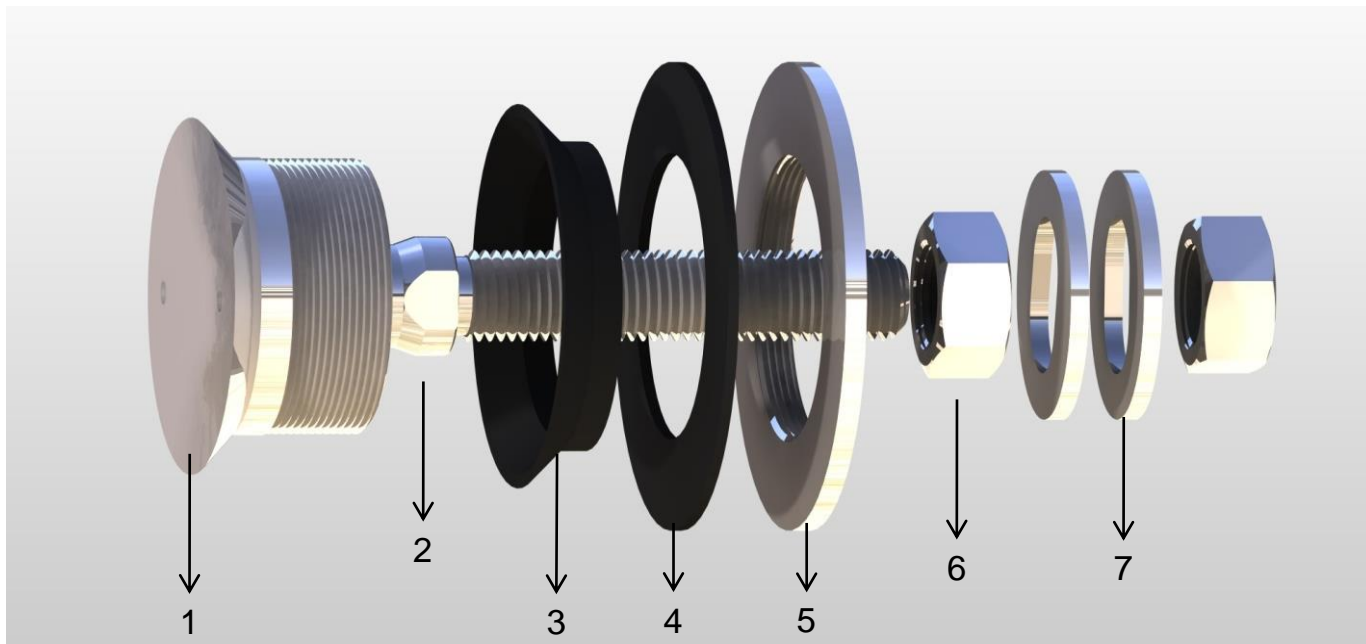
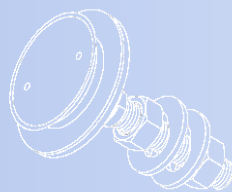


MECHANICAL RESISTANCE CALCULATIONS

	Perpendicular Force			Negative Wind
	D (mm)	ELT (N)	DM – ELT (mm)	ELU (N)
M14	45	1750	1.097	15000
	60	795	1.094	Ou 20000

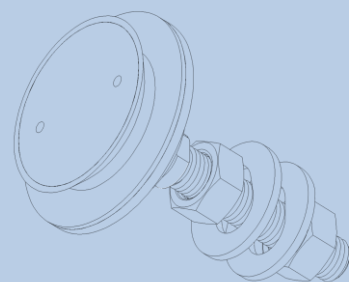
D – Distance in spider fixing
ELT – Service limit state – load at 1mm
DM – Maximum deflection
ELU – Ultimate limit state





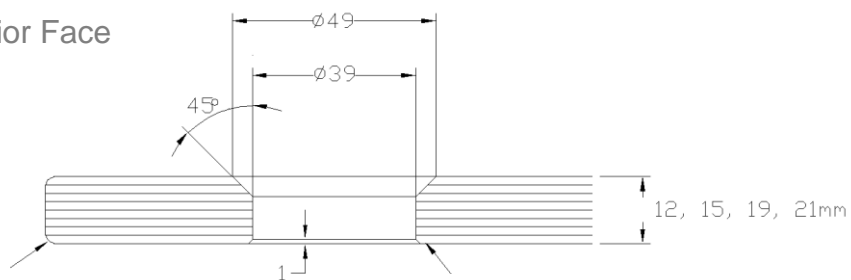
COMPONENTES

- 1 – SS AISI316 body
- 2 – M14 rotulated thread
- 3 –Contact washer Polyethylene
- 4 – Contact washer Polyethylene
- 5 – SS AISI316 washer interior cap Ø60mm (tighten aprox.10~15N/m)
- 6– Nut DIN 934 A4
- 7– SS AISI316 washer



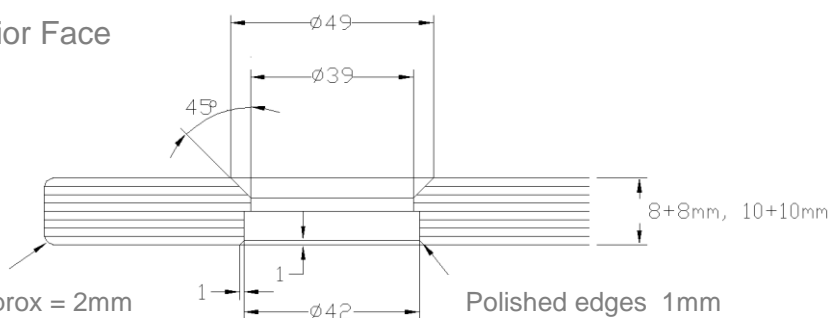
HOLE DETAILS

Exterior Face

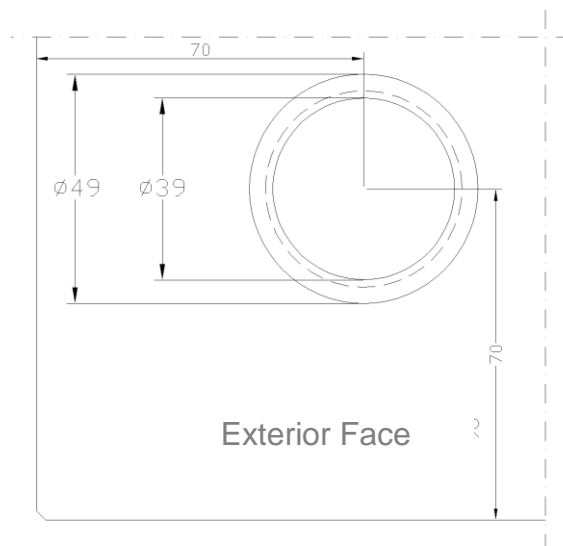


Hole detail for tempered glass rotule RE12-21/M14

Exterior Face



Hole detail for laminated tempered glass rotule RE12-21/M14



Hole details