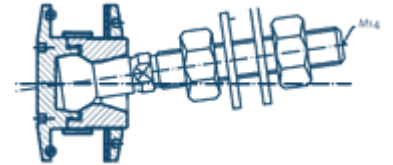
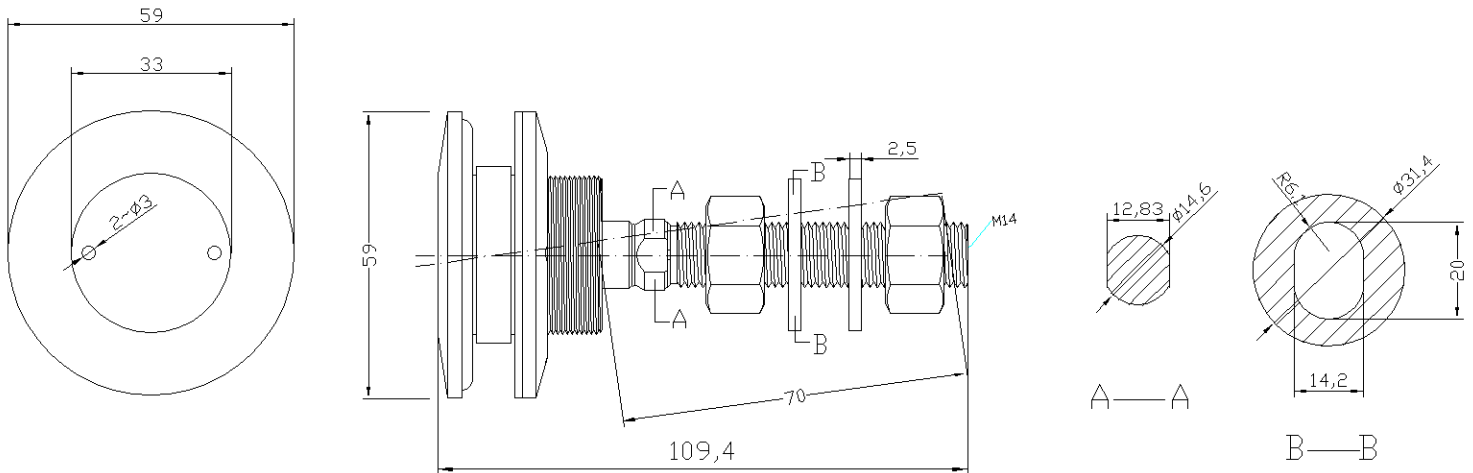


RT12-21M14

Articulated Bolt in stainless steel AISI316 with cap for facade/roof glazing in laminated tempered glass 12 to 21mm – Cylindrical Hole



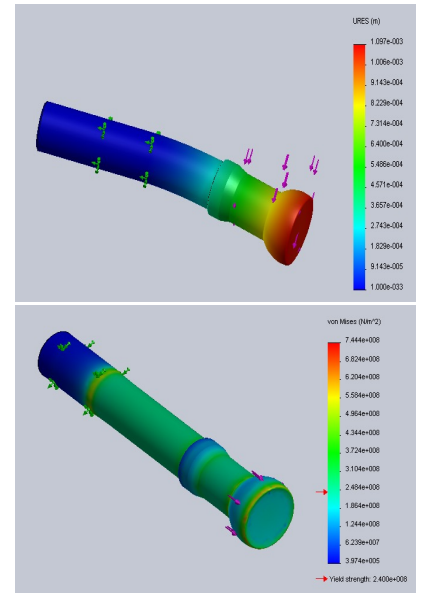
DIMENSIONS ARTICULETED BOLT RT12-21M14

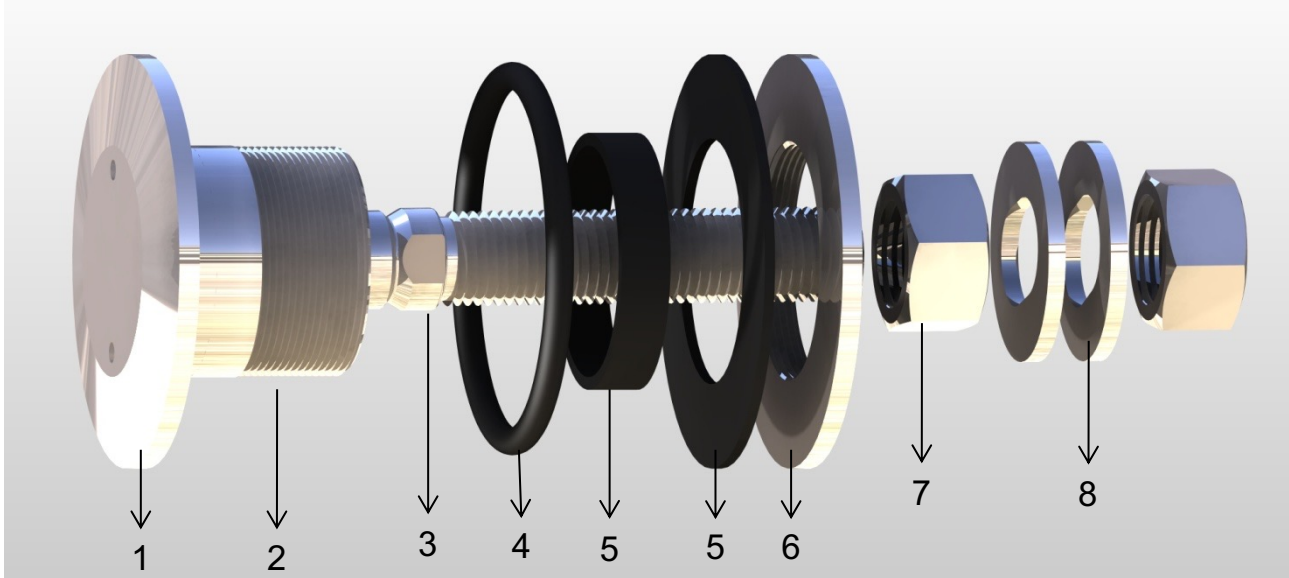
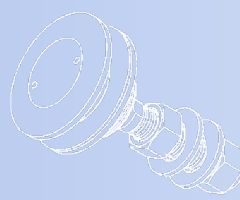


MECHANICAL RESISTANCE CALCULATIONS

	Perpendicular Force			Negative Wind
	D (mm)	ELT (N)	DM – ELT (mm)	ELU (N)
M14	45	1750	1.097	15000
	60	795	1.094	Ou 20000

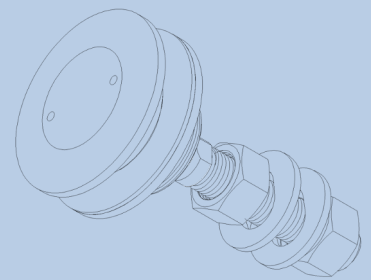
D – Distance in Spider Fixing
ELT – Service Limit State – Load at 1mm
DM – Maximum Deflection
ELU – Ultimate Limit State



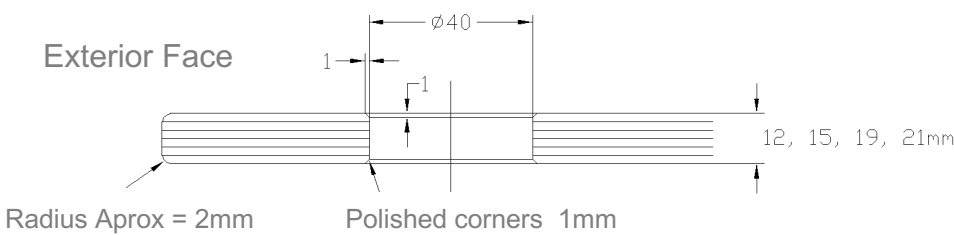


COMPONENTES

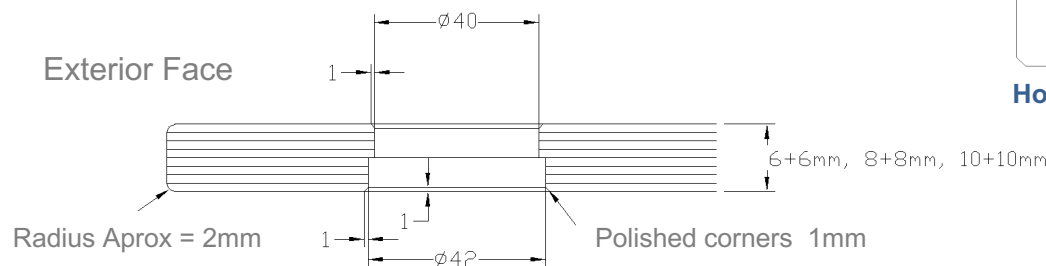
- 1 – SS AISI316 Cap Ø60mm
- 2 – SS AISI316 body
- 3 – M14 rotulated thread
- 4 – O’ring or Contact washer Polyethylene
- 5 – Contact washer Polyethylene
- 6 – SS AISI316 Washer interior cap Ø60mm (tighten aprox.10~15N/m)
- 7– Nut DIN 934 A4
- 8– SS AISI316 Washer



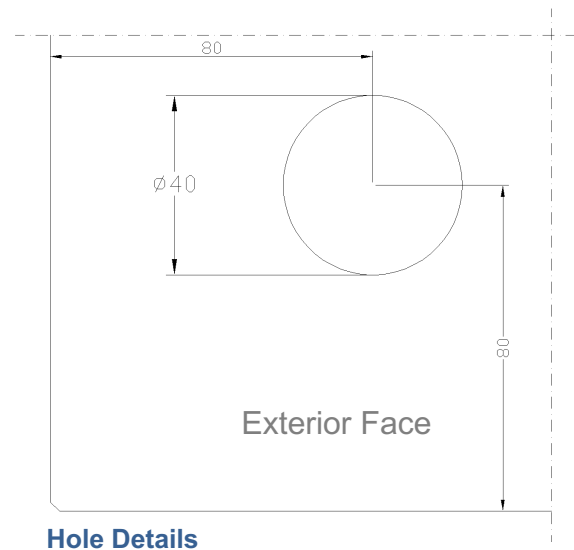
HOLE DETAILS



Hole detail for Tempered Glass rotule RT12-21/M14



Hole detail for Laminated Tempered Glass rotule RT12-21/M14



Hole Details

