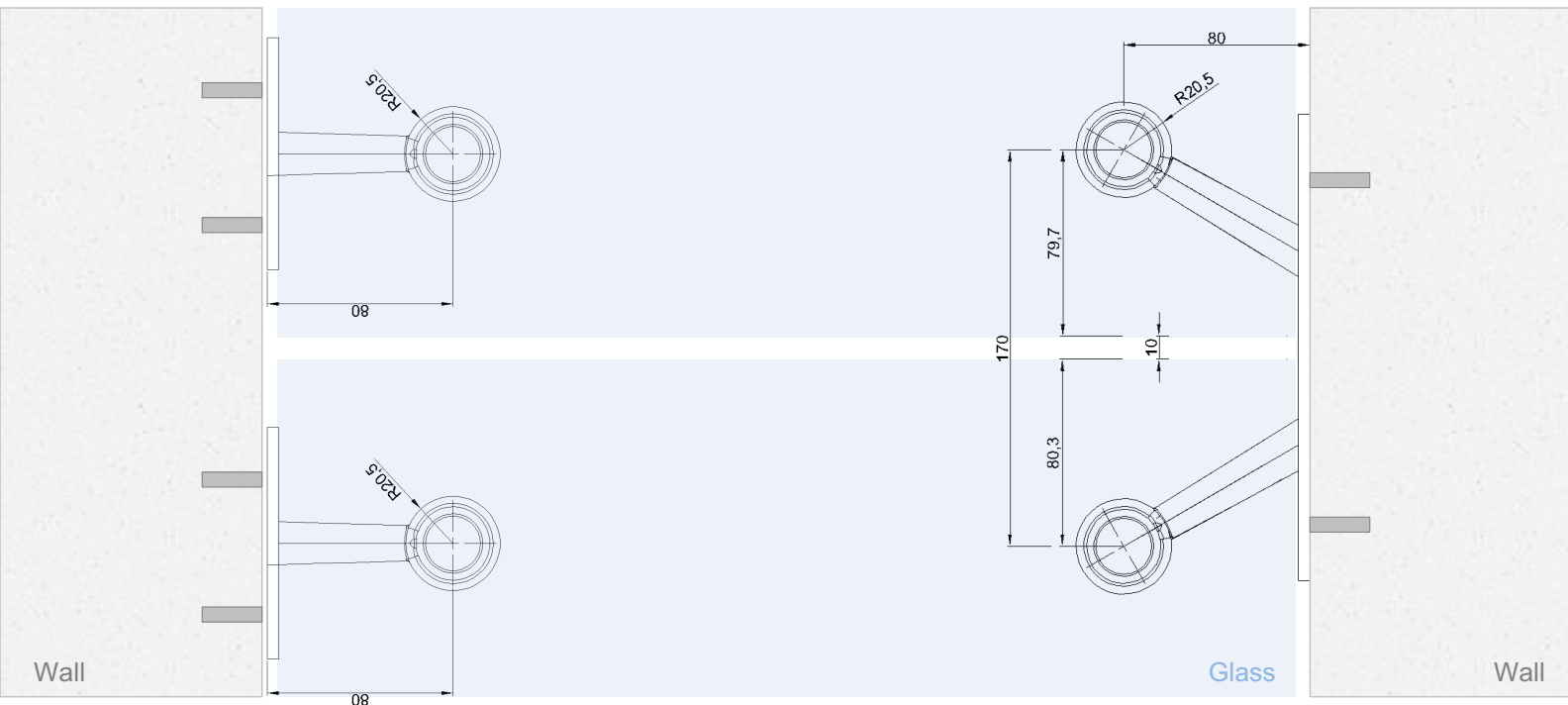


Spiders FI1HL / FI2VL 170

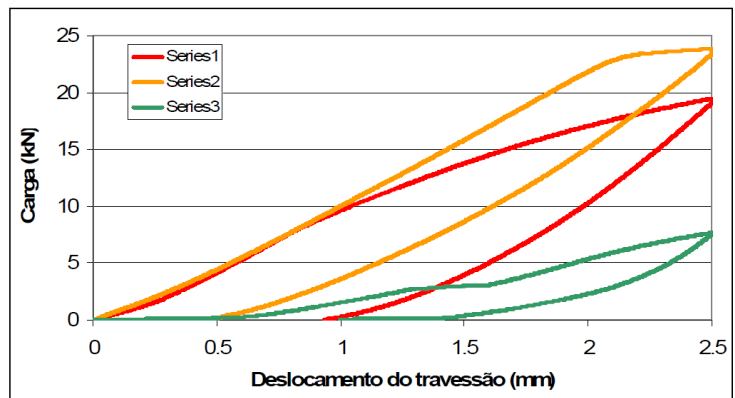
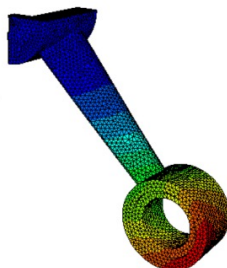
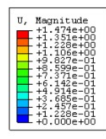
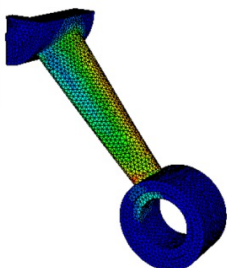
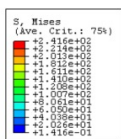
Spider FI1HL and FI2VL in stainless steel 316, for sideways connection to glass beam or wall. To adapt any rotule from FITECHNIC catalogue. Arm distance between arms center 170mm.

FIXING SYSTEM SPIDER FI1HL / FI2VL 170



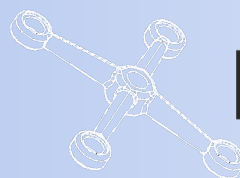
MECHANICAL RESISTANCE CALCULATIONS

Yield Charge (KN)	Max. Stress (MPa)	Displacement (mm)	Yield stress (Mpa)
2.2	241.6	1.5	240

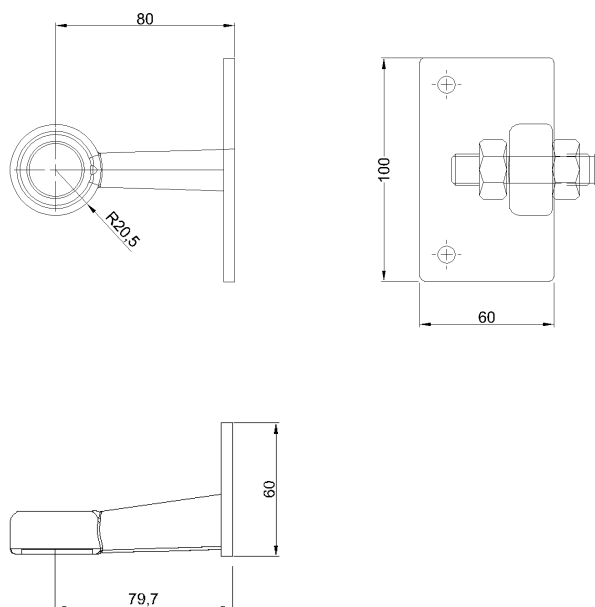


Flexion test by means of a traverse movement corresponding to that of conventional compression tests

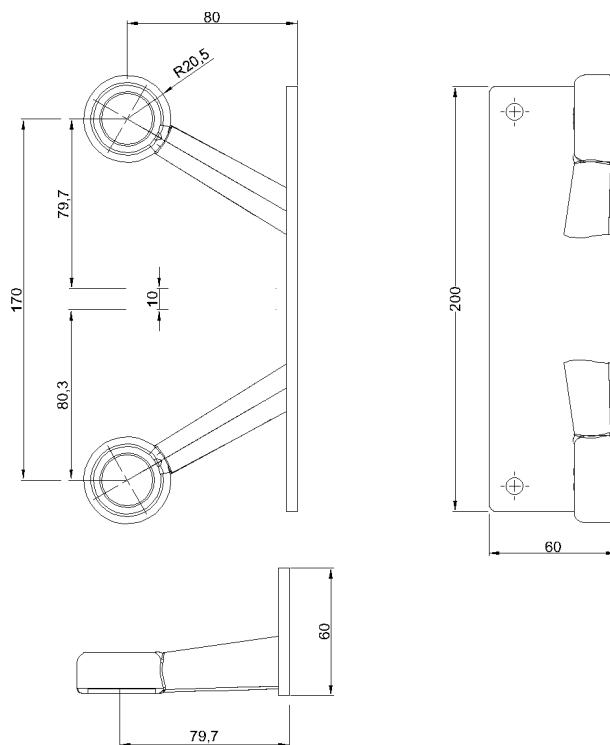
Tension Von Mises (Mpa) e displacement (mm) for H1=2.2KN



Dimensions FI1HL



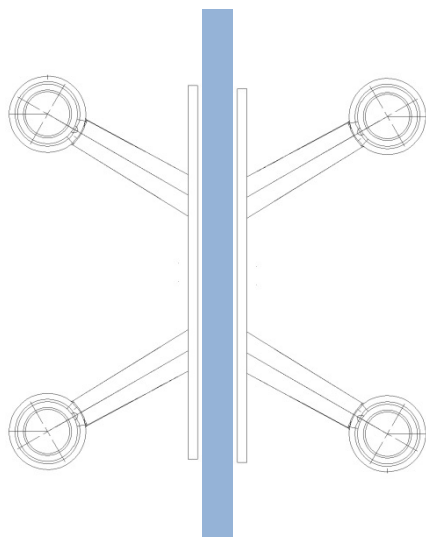
Dimensions FI2VL



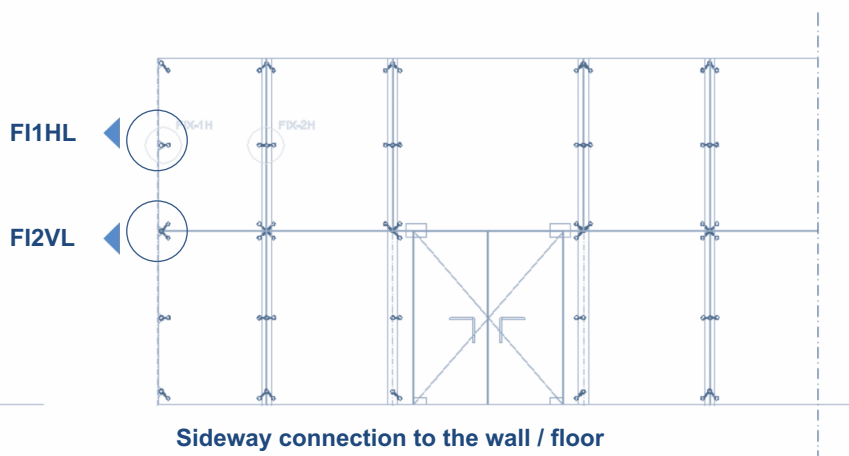
INSTALLATION INSTRUCTIONS

Choose the installation system to apply to the frame (model 1, 2 and 3): mount / weld the base bracket onto the support frame. With a tolerance of $\pm 1,0$ mm.

1. For sideways connection to the wall / floor screwing the FI1HL or FI2VL spiders with M10 bushing
2. For sideways connection to the glass beam use FI1HL or FI2VL spiders with M10 screw with respective neoprenes and nuts.



Sideway connection to Glass Beam



Sideway connection to the wall / floor